



WE ARE THE SPECICOOOLIST!

WSY100L / WSY125L
WSF120L / WSF160L

CAKE SHOWCASES

FEATURES

- Available in curved and square glass
- Works from 2-8 degrees temp range
- Easy to maintain and clean
- Removable back doors
- Stainless steel wire shelving racks
- LED lights
- Showcase your products with maximum exposure



Countertop Round
Cake Showcase

WSY100L

WSY125L

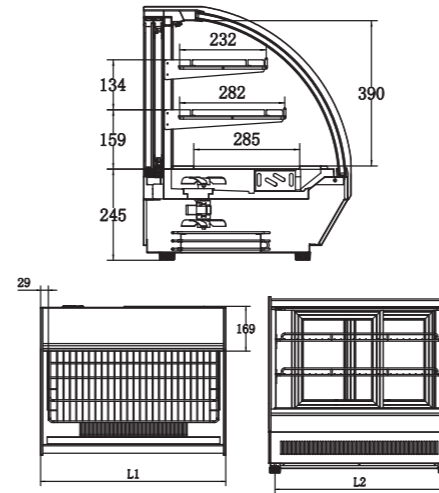


Countertop
Square
Cake Showcase

WSF120L

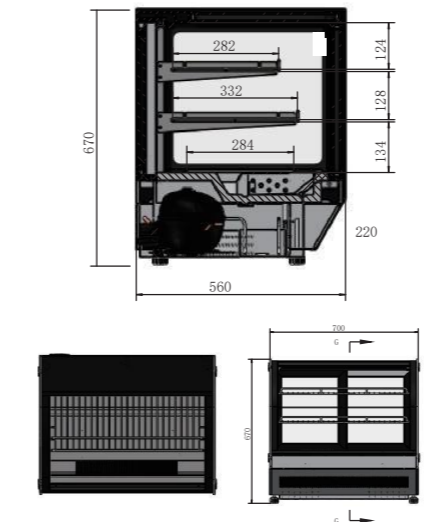
WSF160L

WSY100L/WSY125L



| INFORMATION | WSY100L | WSY125L |
|--------------------------|--------------------------|--------------------------|
| Capacity | 120L | 160L |
| Power | 165W | 165W |
| Voltage | 220~240V/50Hz | 220~240V/50Hz |
| Working Temp | +2~+8°C | +2~+8°C |
| Ambient Temp | 43°C | 43°C |
| Dimensions(mm) | W715 x D560 x H670, 65kg | W915 x D560 x H670, 75kg |
| Packaging Dimensions(mm) | W784 x D641 x H790, 87kg | W984 x D641 x H790, 97kg |
| RRP | \$1,350.00 | \$1,550.00 |

WSF120L/WSF160L



| INFORMATION | WSF120L | WSF160L |
|--------------------------|--------------------------|--------------------------|
| Capacity | 100L | 125L |
| Power | 165W | 165W |
| Voltage | 220~240V/50Hz | 220~240V/50Hz |
| Working Temp | +2~+8°C | +2~+8°C |
| Ambient Temp | 43°C | 43°C |
| Dimensions(mm) | W715 x D560 x H670, 63kg | W915 x D560 x H670, 70kg |
| Packaging Dimensions(mm) | W784 x D641 x H790, 78kg | W984 x D641 x H790, 91kg |
| RRP | \$1,390.00 | \$1,590.00 |



2 YEARS WARRANTY ON ALL PARTS & LABOUR
EXTRA 2 YEARS WARRANTY ON PARTS WHEN YOU REGISTER WITH US ONLINE

* All prices are EX-GST

* All prices are EX-GST