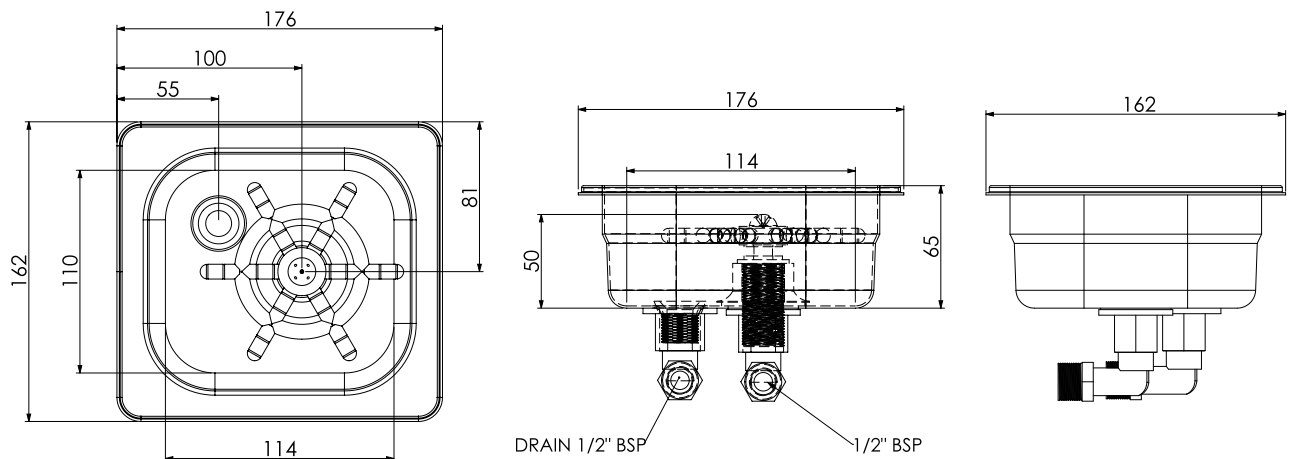


Product Information:

- Manufactured from high quality 304 grade stainless steel
- 1.2mm gauge in no. 4 finish
- Integrated glass rinser with 1/2" drain spigot and 1/2" inlet



General Drawing:



Specifications:

SBM.GR 176mm x 162mm x 65mm

Due to continuous product research and development, the information contained herein is subject to change without notice.

Revision: A - 16/03/2021

www.stoddart.com.au

www.stoddart.co.nz