

Prep Tables

TSSU-36-08-HC

 Prep Table, 8x 1/6 Top Pans, 2 Solid Swing Doors



Dimensions	
External Width (mm)	924
External Depth (mm)	766
External Height (mm)	1093
Exclusions	Depth does not include 26 mm for rear bumpers. Height with lid closed.
Gross Volume (Litres)	240
Supplied Shelves	4
Shelf Size (L x D mm)	Two 395 x 514 + Two 395 x 349
Internal Net Height (mm)	535
Top Pans Supplied (depth mm)	8x 1/6 GN (100)
Unpackaged Weight (kg)	105
Packaged Weight (kg)	116
Packaged Dimensions (W x D x H mm)	991 x 839 x 1270
Cutting Board (L x D mm)	924 x 299
Supplied with	Heavy duty lock-in-place ø 127 mm castors (158 mm height)

Build	
Door Description	2 Solid Swing Doors
Exterior Construction	Stainless steel front, top & hood, aluminium sides and rear
Interior Construction	Clear coated aluminium, stainless steel base
Air Intake Position	Front
Ventilation Position	Front
Clearance Required	Zero back and sides
Cord Length (Meters)	3.35
Standard w/ Locks	Not Standard (SPEC3 option)

Technical	
Temperature Range	0.5 : 5°C
Refrigerant	R290
Voltage/Frequency/Phase	220-240V/50-60Hz/1
Amps	1.6
Watts	368
Defrost Type	Auto



Specifications subject to change without notice.
Chart dimensions rounded up to the next whole millimeter (inches rounded up to the 1/8")

UK & Ireland
EMEA
Australia

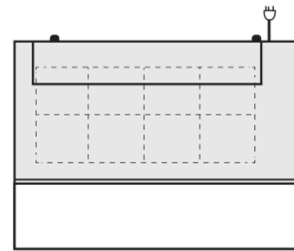
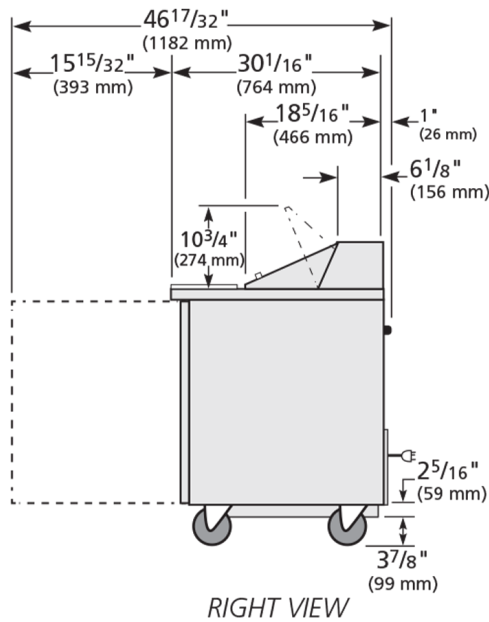
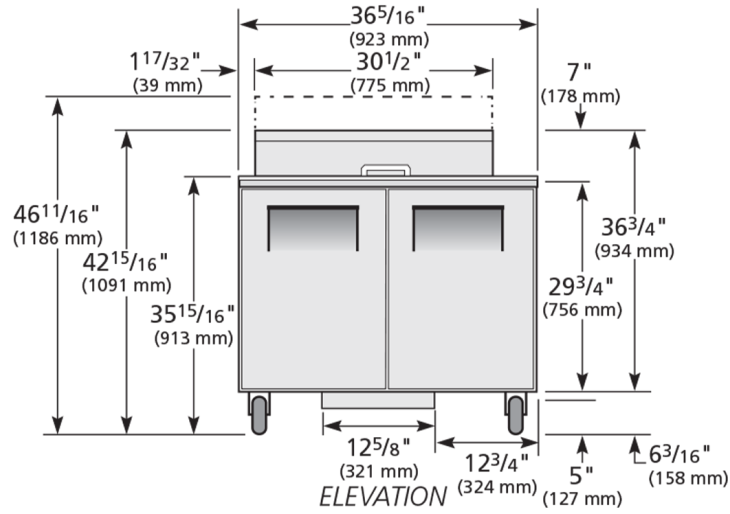
0800 783 2049
[+61 61 563 07 05](tel:+61615630705)
[+61 2 9619 9999](tel:+61296199999)

TFIUK@truemfg.com
TrueCHCustomerService@truemfg.com
TrueRefAus@truemfg.com



TSSU-36-08-HC

Prep Table, 8x 1/6 Top Pans, 2 Solid Swing Doors



Specifications subject to change without notice.
Chart dimensions rounded up to the next whole millimeter (inches rounded up to the 1/8")

UK & Ireland
EMEA
Australia

0800 783 2049
+41 61 563 07 05
+61 2 9619 9999

TFIUK@truemfg.com
TrueCHCustomerService@truemfg.com
TrueRefAus@truemfg.com

