

Bar Refrigeration

TBR60-PTSZ1-L-B-GG-GG-2

 "Pass-Thru" Bar Refrigerator, Black Ext, 2 Glass Swing Doors Front, 2 Glass Swing Doors Rear



Dimensions	
External Width (mm)	1524
External Depth (mm)	631
External Height (mm)	881
Exclusions	Depth does not include 35 mm for front + 35 mm for back door handles. Height does not include 7 mm for leg levelers.
Gross Volume (Litres)	550
Supplied Shelves	6
Shelf Size (L x D mm)	551 x 458
Internal Net Height (mm)	730
Unpackaged Weight (kg)	174
Packaged Weight (kg)	185
Packaged Dimensions (W x D x H mm)	1690 x 801 x 1067
Supplied with	Levelling Screws. Optional castors sold separately.

Build	
Door Description	2 Full Glass Swing Doors
Exterior Construction	Black powder coated steel front. Matching black coated Aluminium sides & rear. Stainless steel countertop.
Interior Construction	Stainless Steel
Air Intake Position	Front
Ventilation Position	Front
Clearance Required	Zero back and sides
Cord Length (Meters)	3.04
Internal Lighting	TruLumina®
Standard w/ Locks	Standard

Technical	
Temperature Range	0.5 : 3.3°C
Refrigerant	R290
Voltage/Frequency/Phase	220-240V/50-60Hz/1
Amps	1.3
Watts	299
Defrost Type	Auto



Specifications subject to change without notice.
Chart dimensions rounded up to the next whole millimeter (inches rounded up to the 1/8")

UK & Ireland
EMEA
Australia

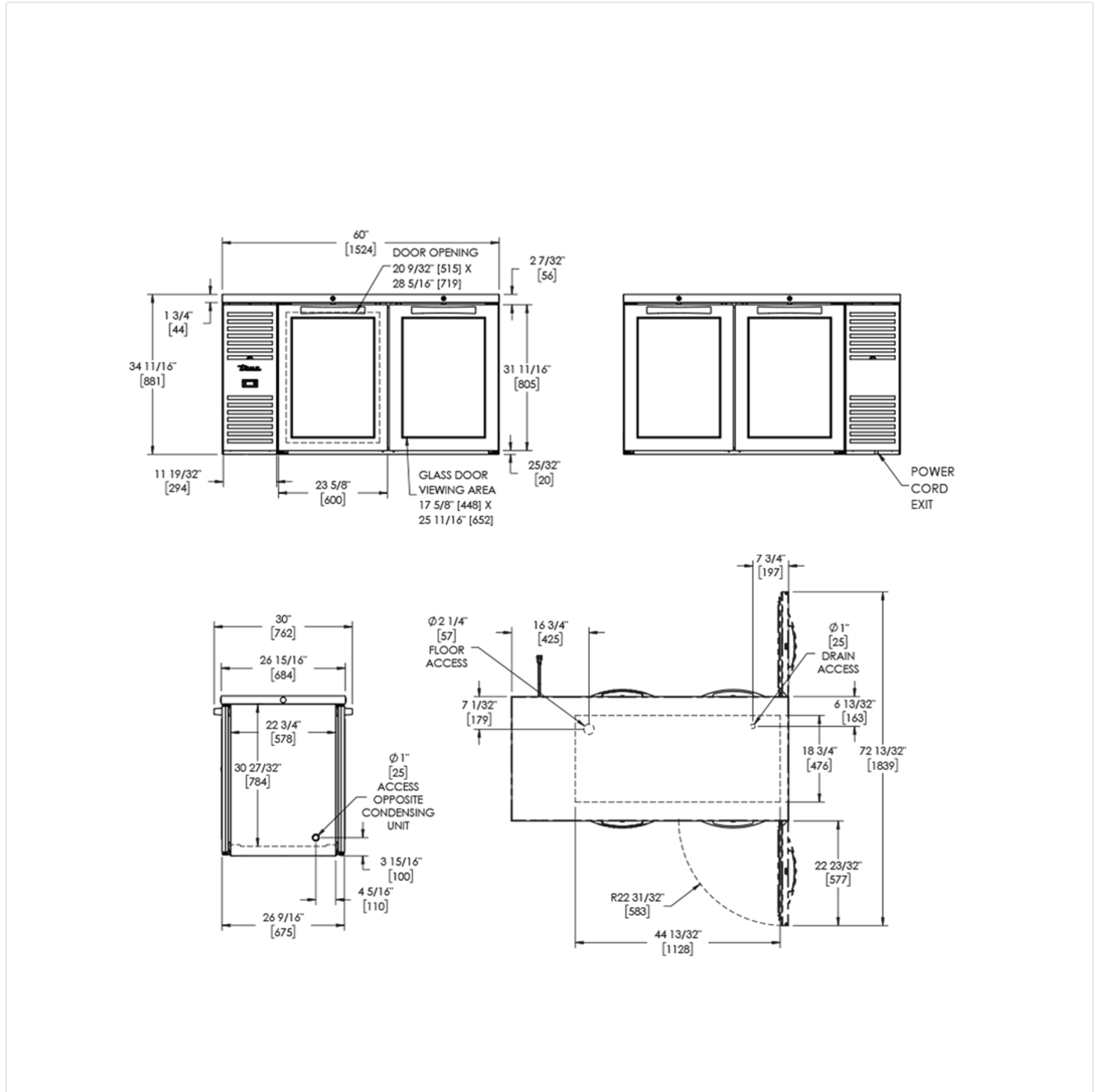
0800 783 2049
[+41 61 563 07 05](tel:+41615630705)
[+61 2 9619 9999](tel:+61296199999)

TFIUK@truemfg.com
TrueCHCustomerService@truemfg.com
TrueRefAus@truemfg.com



TBR60-PTSZ1-L-B-GG-GG-2

 "Pass-Thru" Bar Refrigerator, Black Ext, 2 Glass Swing Doors Front, 2 Glass Swing Doors Rear



Specifications subject to change without notice.
Chart dimensions rounded up to the next whole millimeter (inches rounded up to the 1/8")

UK & Ireland
EMEA
Australia

0800 783 2049
+41 61 563 07 05
+61 2 9619 9999

TFIUK@truemfg.com
TrueCHCustomerService@truemfg.com
TrueRefAus@truemfg.com

