

SUFsg 3501 MediLine

Laboratory Ultra-Low Temperature Freezer



Specifications

Gross / Net Volume	402/382 l
External Dimensions in mm (W/D/H)	797/1082/1966
Internal Dimensions in mm (W/D/H)	466/605/1300
Annual Energy Consumption (365 days)	2738 kWh ¹
Ambient Temperature Range	+16 °C to +32 °C
Heat Emission	1116 kJ/h
Heat Emission System	Air Cooling
Cooling Technology	Cascade Cooling
Refrigerant	R 290 / R 170
Frequency / Voltage	50 Hz / 230 V~
Temperature Range	-40 °C to -86 °C
Cabinet Material/Color	Steel / white
Door Material / Color	Steel / white
Interior Container Material	Stainless steel
Control Type	LED 7-segment display with keypad
Malfunction Alarm	Visual and audible
Power Failure Alarm	Activates instantly during power outage for up to 72 hrs
Potential-Free Contact	Yes
Connectivity Options	External data logger
Interface	LAN (Ethernet)
Data Logger	Integrated, USB interface
Cooling System	Static
Cooling from +22 °C to -80 °C	180 min
Warming up from -80 °C to -60 °C / to 0 °C	170 min / 1300 min
Number / Maximum Number of Shelves	4 / 11
Shelf Material	Stainless steel
Shelf Load Capacity	50 kg
Maximum Total Load	200 kg
Number of Racks per Level	3
Max. Number of Cryo Boxes 50 mm / 75 mm	264 / 168
Casters	Swivel casters with front brakes, fixed casters in back
Sensor Port	3 x Ø 28 mm
Lock Type	mechanical
Door Hinge	fixed right
Gross/Net Weight	260/226 kg
EAN No.	9005382280294

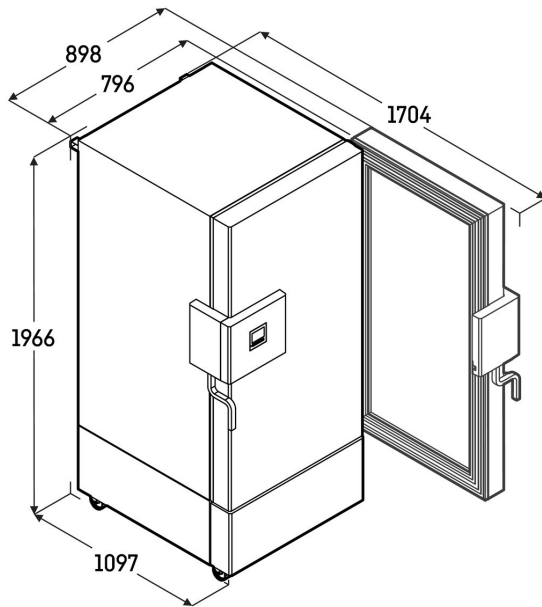
¹ Measured at +25 °C ambient temperature and set temperature of -80 °C.

² Average sound pressure level measured 1 meter away.

SUFsg 3501 MediLine

LIEBHERR

Technical Drawing



Liebherr reserves the right to make changes without prior notice to the products.
All information is accurate as of the date of publication: 2026.04.10

This summary highlights the key features of the device.
For a full list of features and more details, please visit:

home.liebherr.com/professional

Follow us on 