



SIMPLY STAINLESS

Modular Sinks, Tables & Shelving

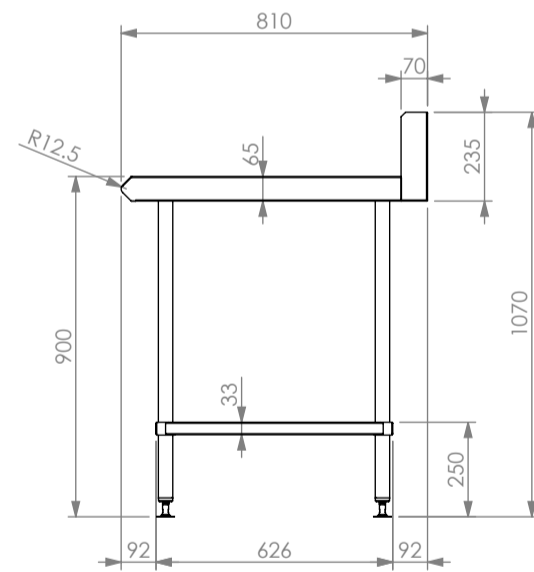
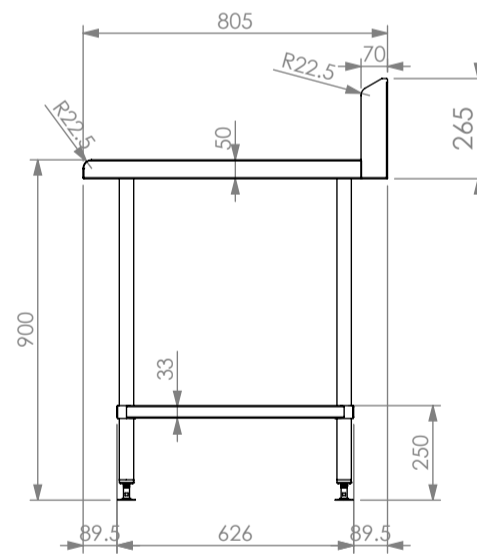
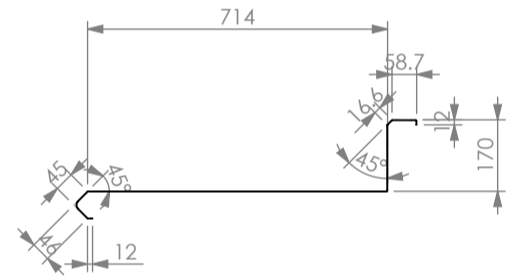
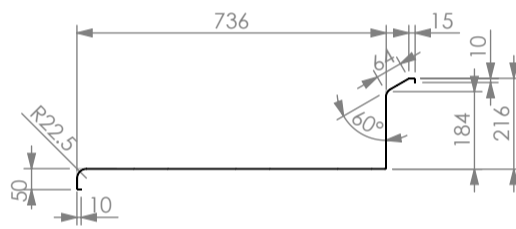


31-BS-0600



31-WD-0600

SPECIFICATION	
Tops	- High quality 304 grade stainless steel. - 1.2mm gauge, no. 4 Finish. - Studs under for fixing accessories.
Core	- 3mm zinalume. - Marine grade protective paint .
Frames	- Ø38mm round stainless steel tube. - Satin polished. - Machined collars. - Adjustable stainless disc feet.
Undershelves	- High quality stainless steel. - 1.2mm gauge, no. 4 Finish. - Top hat stiffening with channels.



WALDORF

BLUESEAL

	Blueseal/Waldorf Infill Tables			
	Product Code	Dimensions (mm)	Unit weight (Kg)	Load capacity (Kg)
31	31-BS-0300	300x810x900	48	100
	31-BS-0450	450x810x900	55	100
	31-BS-0600	600x810x900	53	100
	31-BS-0900	900x810x900	54	150
	31-WD-0300	300x805x900	12	100
	31-WD-0450	450x805x900	12	100
	31-WD-0600	600x805x900	24	100
	31-WD-0900	900x805x900	36	150

