



SIMPLY STAINLESS

Modular Sinks, Tables & Shelving



18-7-0900



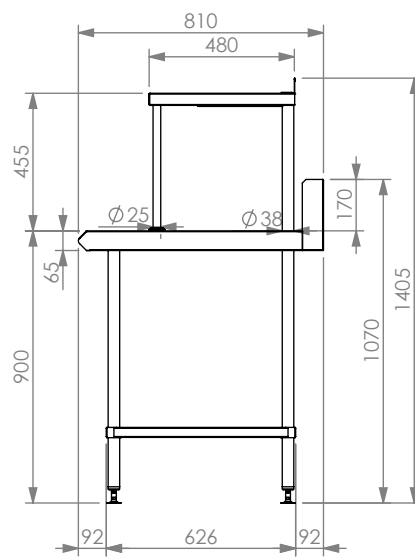
18-BS



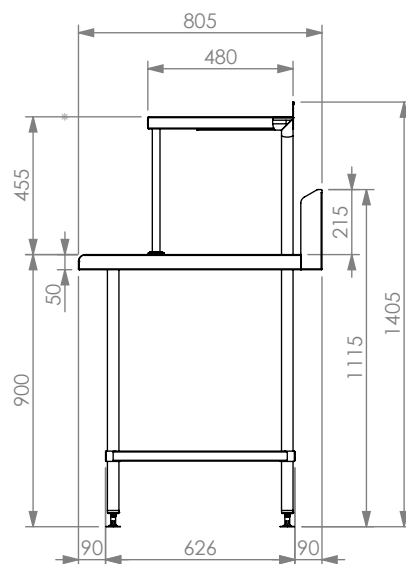
18-WD

SPECIFICATION

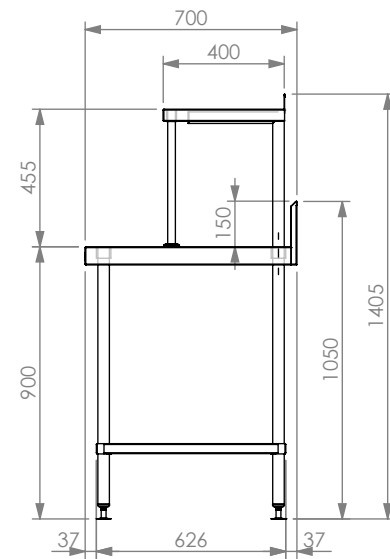
Tops	<ul style="list-style-type: none"> - High quality 304 grade stainless steel. - 1.2mm gauge, no. 4 Finnish. - Studs under for fixing accessories. - 100mm upstand (150mm bevelled upstand on 700 series)
Core	<ul style="list-style-type: none"> - 3mm zincalume. - Marine grade protective paint .
Frames	<ul style="list-style-type: none"> - Ø38mm round stainless steel tube. - Satin polished. - Machined collars. - Adjustable stainless disc feet. - front legs on overshelf are 25mm round polished tube & are removable if necessary (not to be removed on Blueseal and Waldorf benches)
Undershelves	<ul style="list-style-type: none"> - High quality stainless steel. - 1.2mm gauge, no. 4 Finnish. - Top hat stiffening with channels.



BLUSEAL PROFILE



WALDORF PROFILE



*700mm DEEP MODULE ELEVATION.

Salamander Bench				
	Product Code	Dimensions (mm)	Unit weight (Kg)	Load capacity (Kg)
18	18-6-0900	900x600x900 (100mm Upstand)	48	180
	18-7-0900	900x700x900 (150mm Upstand)	55	180
	18-BS	900x810x900 (Blueseal profile) NB. Top shelf is 480mm deep	53	180
	18-WD	900x805x900 (Waldorf profile) NB. Top shelf is 480mm deep	54	180

