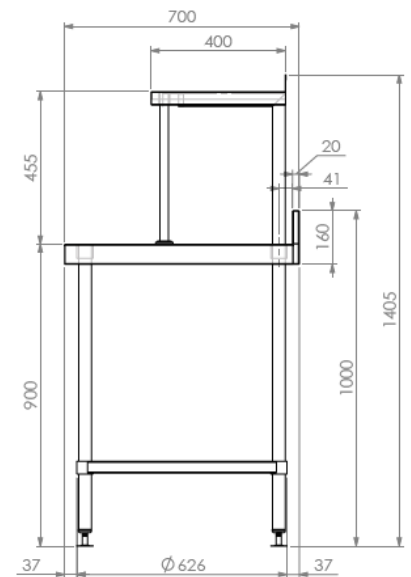




# SIMPLY STAINLESS

www.simplystainless.com

## Modular sinks tables and shelves



700 series depth indicated above

SPECIFICATION	
Tops	1.2mm gauge, high quality stainless steel, no. 4 finish, 100mm upstand (150mm bevelled upstand on 700 series), studs under for accessories
Core	3mm zincalume, marine grade protective paint
Frames	38mm round stainless steel tube, satin polished, machined collars, adjustable stainless disc feet, front legs on overshelf are 25mm round polished tube and are removable if necessary
Undershelves	1.2mm gauge, high quality stainless steel, no. 4 finish, top hat stiffening with channels

18	SALAMANDER BENCH	
	Product Code	Dimensions
	18.6.0900	900mm x 600mm x 900mm
	18.7.0900	900mm x 700mm x 900mm (150mm upstand)
	18.BS (BLUESEAL)	900mm x 812mm x 900mm (Blueseal profile)
	18.WD (WALDORF)	900mm x 812mm x 900mm (Waldorf Profile)