



SIMPLY STAINLESS

Modular Sinks, Tables & Shelving



17-0900SS

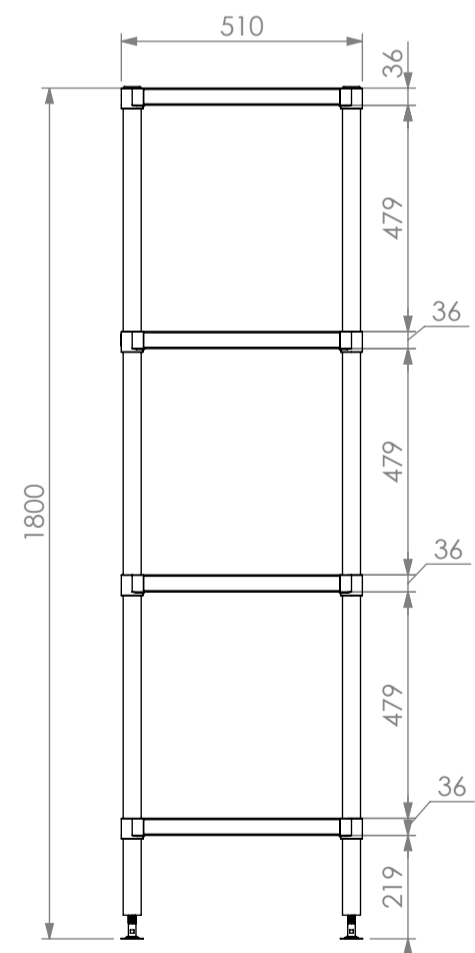


17-1200SS



17-1500SS

SPECIFICATION	
Tops	<ul style="list-style-type: none"> - High quality stainless steel. - 1.2mm gauge, no. 4 Finnish. - Double grub screw collars.
Frames	<ul style="list-style-type: none"> - Ø38mm round stainless steel tube. - Welded stainless insert. - Adjustable stainless disc feet.



17-SS	Adj. Storage Shelving 4 Tier			
	Product Code	Dimensions (mm)	Unit weight (Kg)	Load capacity (Kg)
	17-0900SS	900x450x150	26	80kg per shelf
	17-1200SS	1200x450x150	34	80kg per shelf
	17-1500SS	1500x450x150	40	80kg per shelf

