



SIMPLY STAINLESS

Modular Sinks, Tables & Shelving



07-6-1200L

*Units 1200mm to 1800mm have 4 legs.

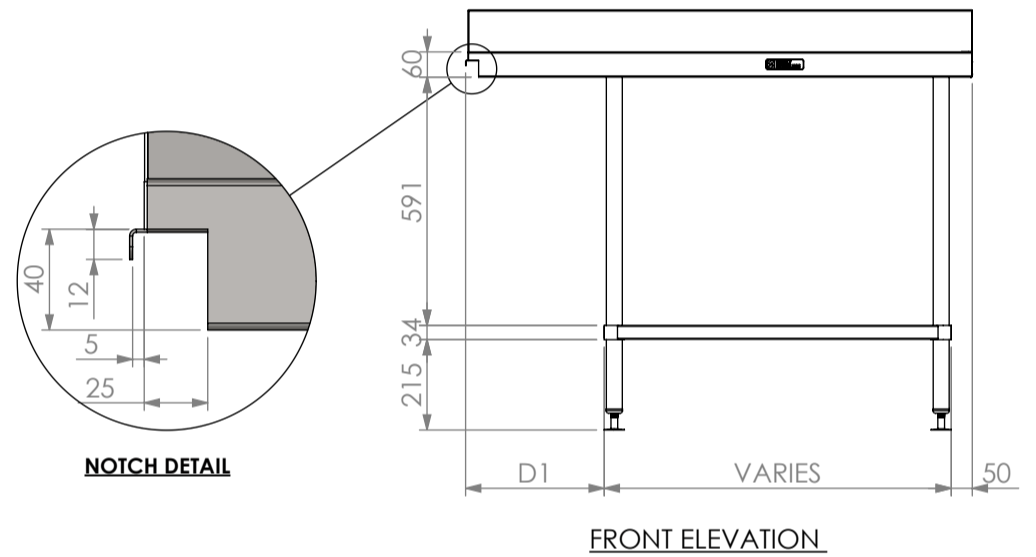
07-6-1200R

07-7-2100L

* Units 2100mm have 6 legs.

07-7-2100R

SPECIFICATION	
Tops	- High quality 304 grade stainless steel. - 1.2mm gauge, no. 4 Finish. - 100mm upstand (150mm bevelled upstand on 700 series)
Core	- 1.2mm top hat stiffening channels. - Stainless steel sockets.
Frames	- Ø38mm round stainless steel tube. - Satin polished. - Machined collars. - Adjustable stainless disc feet.
Undershelves	- High quality stainless steel. - 1.2mm gauge, no. 4 Finish. - Top hat stiffening with channels.



07	Dishwash Outlet Bench				
	Product Code	Dimensions (mm)	D1(mm)	Unit weight (Kg)	Load capacity (Kg)
	07-6-1200 (L,R)	1200x600x900	330	27	90
	07-6-1500 (L,R)	1500x600x900	330	33	130
	07-6-1650 (L,R)	1650x600x900	330	34	130
	07-6-1800 (L,R)	1800x600x900	330	38	130
	07-6-2100 (L,R)	2100x600x900	180	47	130
	07-7-1200 (L,R)	1200x700x900	180	33	130
	07-7-1500 (L,R)	1500x700x900	330	34	130
	07-7-1650 (L,R)	1650x700x900	330	41	130
	07-7-1800 (L,R)	1800x700x900	330	43	130
	07-7-2100 (L,R)	2100x700x900	330	54	130

