



SIMPLY STAINLESS

Modular Sinks, Tables & Shelving



06-6-1200

*Units 1200mm & 1500mm have 4 legs.



06-7-1800

*Units 1800mm & 2100mm have 6 legs.

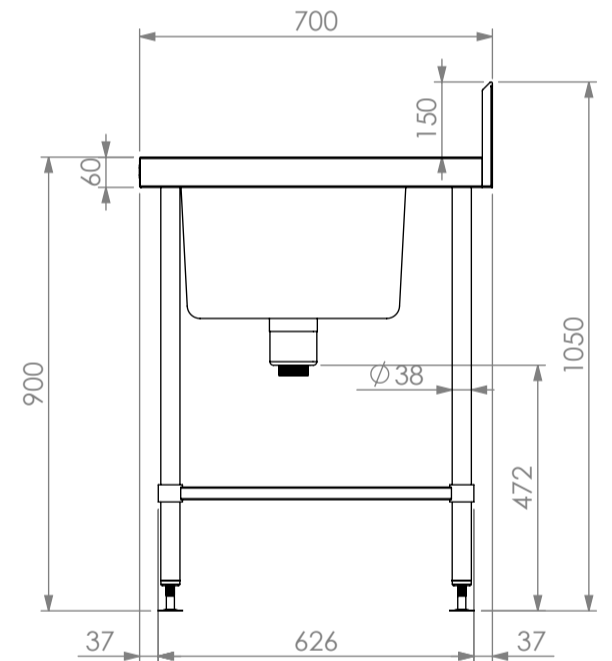


06-7-2400

*Unit 2400mm have 6 legs.

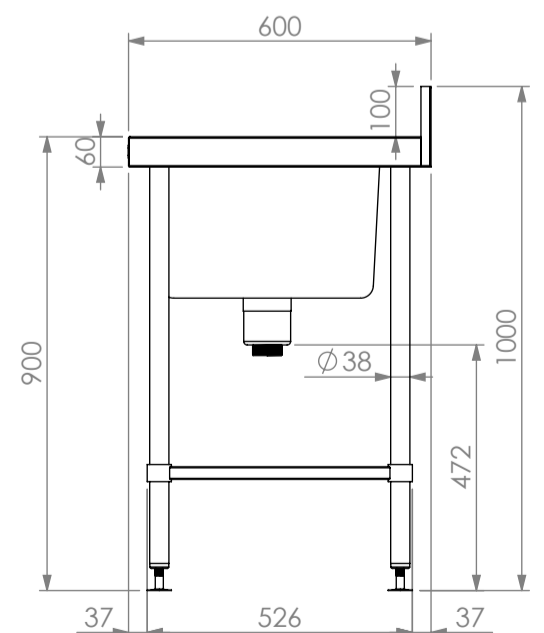
SPECIFICATION

Tops	<ul style="list-style-type: none"> - High quality 304 grade stainless steel. - 1.2mm gauge, no. 4 Finnish. - Welded bowl w/sink waste, 100mm upstand (150mm bevelled upstand on 700 series). - 20mm wet edge. - 2 pcs. 60 litre bowl (450x450x300mm). - 2 pcs. 81 litre bowl (600x450x300mm). - Supplied with 2x Watermark approved 90mm waste with basket.
Core	<ul style="list-style-type: none"> - 1.2mm gauge stainless steel top hat channel. - Stainless steel collars.
Frames	<ul style="list-style-type: none"> - Ø38mm round stainless steel tube. - Satin polished. - Machined collars. - Adjustable stainless disc feet.
Potrail	<ul style="list-style-type: none"> - Stainless steel round & square tube



*700mm DEEP MODULE ELEVATION.

06	Double Bench Bowl				
	Product Code	Bowl	Dimensions (mm)	Unit weight (Kg)	Load capacity (Kg)
	06-6-1200	450x450x300	1200x600x900	32	80
	06-6-1500	450x450x300	1500x600x900	41	80
	06-6-1800	450x450x300	1800x600x900	51	120
	06-6-2100	450x450x300	2100x600x900	58	160
	06-6-2400	600x450x300	2400x600x900	66	160
	06-7-1200	450x450x300	1200x700x900	39	80
	06-7-1500	450x450x300	1500x700x900	47	80
	06-7-1800	450x450x300	1800x700x900	57	120
	06-7-2100	450x450x300	2100x700x900	65	160
	06-7-2400	600x450x300	2400x700x900	70	160



*600mm DEEP MODULE ELEVATION.

