



03-6-1500

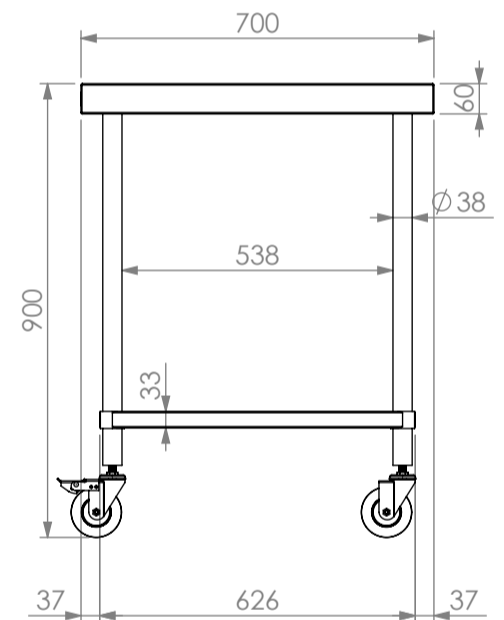
*Units 600mm to 1500mm have 4 legs.



03-7-1800

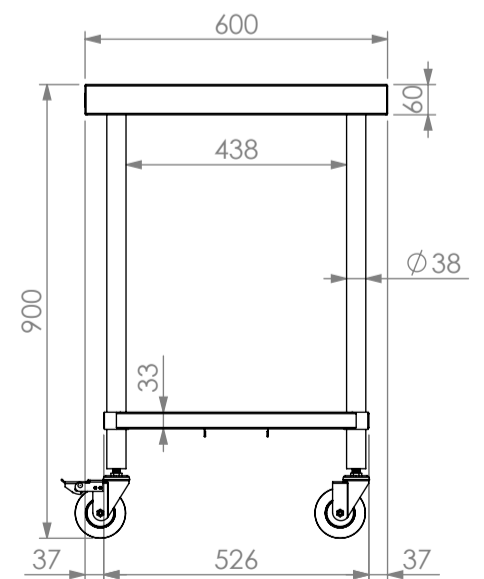
* Units 1800mm to 2400mm have 6 legs.

SPECIFICATION	
Tops	- High quality 304 grade stainless steel. - 1.2mm gauge, no. 4 Finnish. - Studs under for fixing accessories.
Core	- 3mm zincalume. - Marine grade protective paint .
Frames	- Ø38mm round stainless steel tube. - Satin polished. - Machined collars. - Castors Ø100mm grey rubber 2x locking & 2x non-locking.
Undershelves	- High quality stainless steel. - 1.2mm gauge, no. 4 Finnish. - Top hat stiffening with channels.



*700mm DEEP MODULE ELEVATION.

03	Workbench with Splashback			
	Product Code	Dimensions (mm)	Unit weight (Kg)	Load capacity (Kg)
	03-6-0600	600x600x900	27	140
	03-6-0900	900x600x900	34	180
	03-6-1200	1200x600x900	47	320
	03-6-1500	1500x600x900	58	360
	03-6-1800	1800x600x900	69	400
	03-6-2100	2100x600x900	73	440
	03-6-2400	2400x600x900	81	480
	03-7-0600	600x700x900	30	140
	03-7-0900	900x700x900	37	180
	03-7-1200	1200x700x900	48	320
	03-7-1500	1500x700x900	62	360
	03-7-1800	1800x700x900	73	400
	03-7-2100	2100x700x900	82	440
	03-7-2400	2400x700x900	91	480



*600mm DEEP MODULE ELEVATION.