



SIMPLY STAINLESS

Modular Sinks, Tables & Shelving



02-6-1500

*Units 300mm to 1500mm have 4 legs



02-7-0600MS

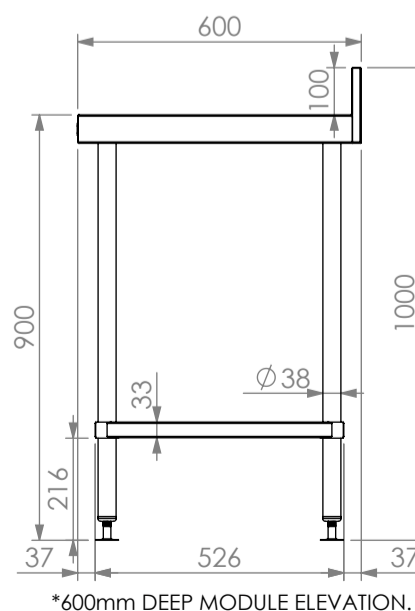
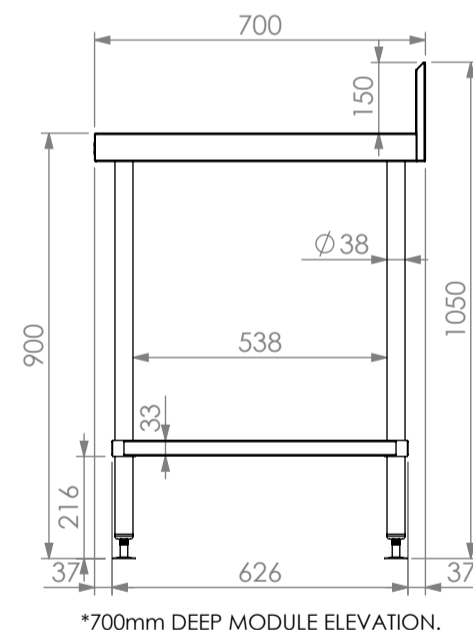
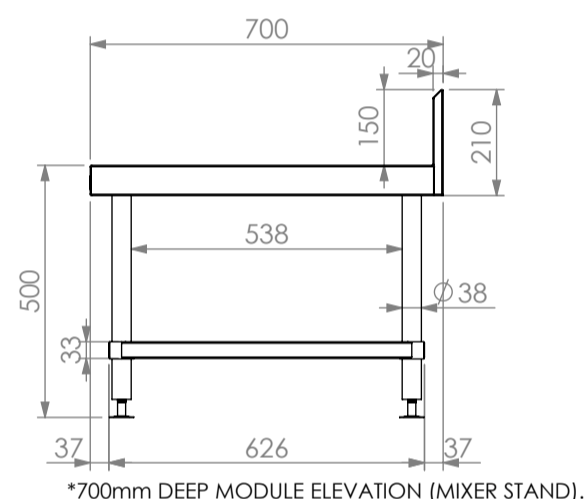
MIXER STAND



02-7-1800

* Units 1800mm to 2400mm have 6 legs.

SPECIFICATION	
Tops	- High quality 304 grade stainless steel. - 1.2mm gauge, no. 4 Finish. - Studs under for fixing accessories.
Core	- 3mm zincalume. - Marine grade protective paint .
Frames	- Ø38mm round stainless steel tube. - Satin polished. - Machined collars. - Adjustable stainless disc feet.
Undershelves	- High quality stainless steel. - 1.2mm gauge, no. 4 Finish. - Top hat stiffening with channels.



	Workbench with Splashback			
	Product Code	Dimensions (mm)	Unit weight (Kg)	Load capacity (Kg)
02	02-6-0300	300x600x900	16	40
	02-6-0450	450x600x900	20	40
	02-6-0600	600x600x900	25	140
	02-6-0900	900x600x900	32	180
	02-6-1200	1200x600x900	47	320
	02-6-1500	1500x600x900	56	360
	02-6-1800	1800x600x900	63	400
	02-6-2100	2100x600x900	72	440
	02-6-2400	2400x600x900	80	480
	02-7-0300	300x700x900	19	40
	02-7-0450	450x700x900	24	40
	02-7-0600	600x700x900	30	140
	02-7-0600MS	600x700x500	28	140
	02-7-0900	900x700x900	40	180
	02-7-1200	1200x700x900	52	320
	02-7-1500	1500x700x900	67	360
	02-7-1800	1800x700x900	76	400
	02-7-2100	2100x700x900	87	440
	02-7-2400	2400x700x900	100	480

