



SIMPLY STAINLESS

Modular Sinks, Tables & Shelving



01-7-1500

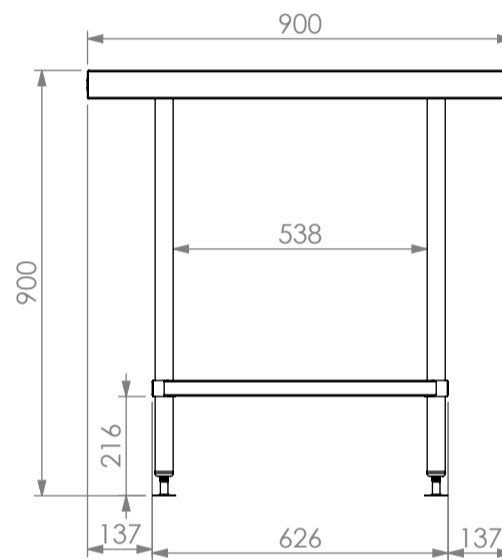
*Units 600mm to 1500mm have 4 legs



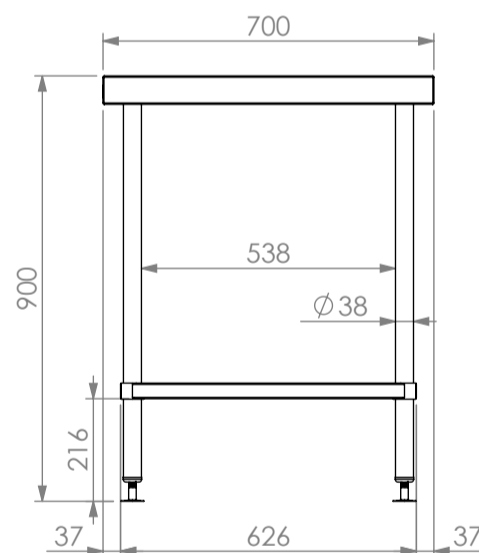
01-7-1800

* Units 1800mm to 2400mm have 6 legs.

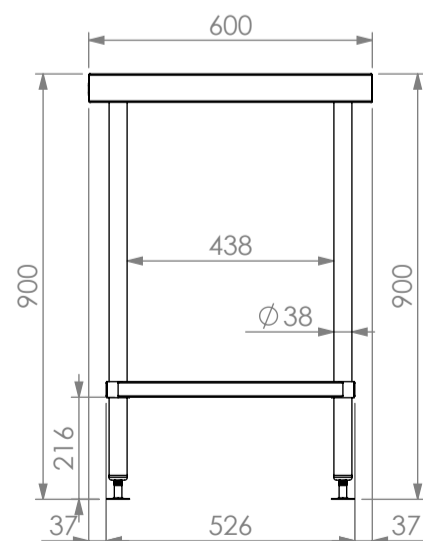
SPECIFICATION	
Tops	- High quality 304 grade stainless steel. - 1.2mm gauge, no. 4 Finnish. - Studs under for fixing accessories.
Core	- 3mm zincalume. - Top hat stiffening. - Marine grade protective paint .
Frames	- Ø38mm round stainless steel tube. - Satin polished. - Machined collars. - Adjustable stainless disc feet.
Undershelves	- High quality stainless steel. - 1.2mm gauge, no. 4 Finnish. - top hat stiffening with channels.



*900mm DEEP MODULE ELEVATION.



*700mm DEEP MODULE ELEVATION.



*600mm DEEP MODULE ELEVATION.

01	Work (Island) Bench			
	Product Code	Dimensions (mm)	Unit weight (Kg)	Load capacity (Kg)
	01-6-0600	600x600x900	25	140
	01-6-0900	900x600x900	32	180
	01-6-1200	1200x600x900	43	320
	01-6-1500	1500x600x900	53	360
	01-6-1800	1800x600x900	60	400
	01-6-2100	2100x600x900	70	440
	01-6-2400	2400x600x900	77	480
	01-7-0600	600x700x900	27	140
	01-7-0900	900x700x900	36	180
	01-7-1200	1200x700x900	45	320
	01-7-1500	1500x700x900	60	360
	01-7-1800	1800x700x900	68	400
	01-7-2100	2100x700x900	78	440
	01-7-2400	2400x700x900	90	480
	01-9-1200	1200x900x900	91	320
	01-9-1500	1500x900x900	64	360
	01-9-1800	1800x900x900	80	400
	01-9-2100	2100x900x900	92	440
	01-9-2400	2400x900x900	90	480

