



SIMPLY STAINLESS

Modular Bar Solutions



SBM-7-0600

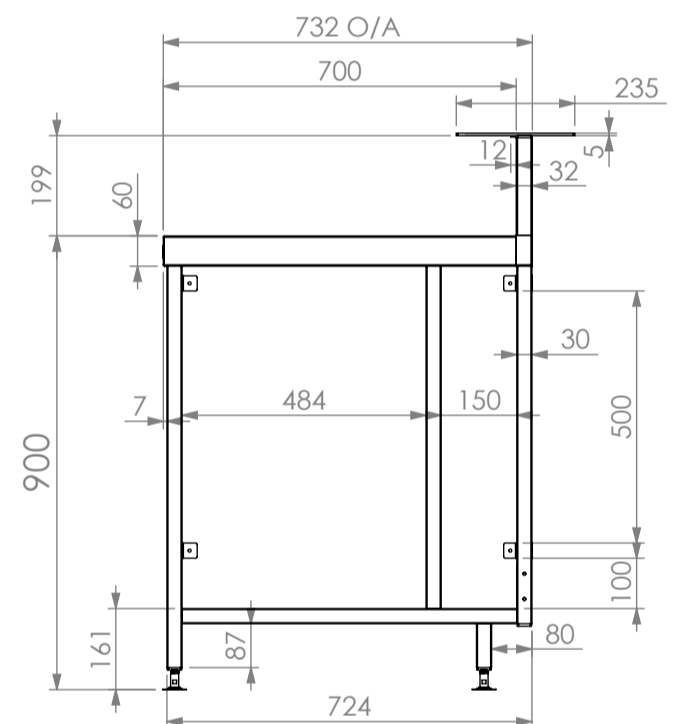
*Units 600mm to 1800mm have 4 legs



SBM-7-2100

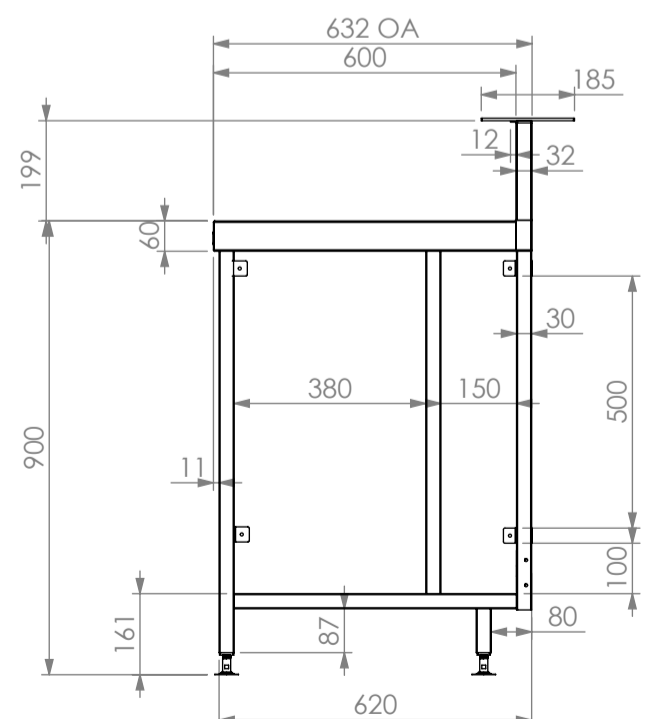
* Units 2100mm & 2400mm have 6 legs

SPECIFICATION	
Tops	- High quality 304 grade stainless steel. - 1.2mm gauge, no. 4 Finish.
Core	- 3mm zincalume. - Top hat stiffening. - Marine grade protective paint .
Frames	- 30mm square stainless steel tube. - Satin polished, adjustable stainless disc feet.
Servery	- 5mm stainless steel flatbar. - Welded to frame. - 2 fixing holes.



NOTE:
1. 700mm DEEP MODULE ELEVATION.

	BENCH BAR MODULE	
	Product Code	Dimensions (mm)
SBM-BM	SBM-6-0600	600x600x900
	SBM-6-0900	900x600x900
	SBM-6-1200	1200x600x900
	SBM-6-1500	1500x600x900
	SBM-6-1800	1800x600x900
	SBM-6-2100	2100x600x900
	SBM-6-2400	2400x600x900
	SBM-7-0600	600x700x900
	SBM-7-0900	900x700x900
	SBM-7-1200	1200x700x900
	SBM-7-1500	1500x700x900
	SBM-7-1800	1800x700x900
	SBM-7-2100	2100x700x900
	SBM-7-2400	2400x700x900



NOTE:
1. 600mm DEEP MODULE ELEVATION.

