



Installation and Operation Manual

# Gas Range Electric Static/Convection Ovens

RN8910GE  
RN8910GEC

RNL8910GE  
RNL8910GEC

RNB8910GE  
RNB8910GEC

RNLB8910GE  
RNLB8910GEC



_____
Date Purchased
_____
Serial Number
_____
Dealer
_____
_____
Service Provider
_____
_____



For use in GB & IE

---

## MANUFACTURED BY

### Moffat Limited

Christchurch  
New Zealand

## INTERNATIONAL CONTACTS

### AUSTRALIA

#### Moffat Pty Limited

**Web:** www.moffat.com.au  
**E.Mail:** vsales@moffat.com.au  
**Main Office:** (tel) +61 (03) 9518 3888  
(fax) +61 (03) 9518 3833  
**Service:** (tel): 1800 622 216  
**Spares:** (tel): 1800 337 963  
**Customer Service:** (tel): 1800 335 315  
(fax): 1800 350 281

### CANADA

#### Serve Canada

**Web:** www.servecanada.com  
**E.Mail:** info@servecanada.com  
**Sales:** (tel): 800 551 8795 (Toll Free)  
**Service:** (tel): 800 263 1455 (Toll Free)

### NEW ZEALAND

#### Moffat Limited

**Web:** www.moffat.co.nz  
**E.Mail:** sales@moffat.co.nz  
**Main Office:** (tel): 0800 663328

### UNITED KINGDOM

#### Blue Seal

**Web:** www.blue-seal.co.uk  
**E.Mail:** sales@blue-seal.co.uk  
**Sales:** (tel): +44 121 327 5575  
(fax): +44 121 327 9711  
**Spares:** (tel): +44 121 322 6640  
(fax): +44 121 327 9201  
**Service:** (tel): +44 121 322 6644  
(fax): +44 121 327 6257

### UNITED STATES

#### Moffat

**Web:** www.moffat.com  
**Sales:** (tel): 800 551 8795 (Toll Free)  
(tel): +1 336 661 1556  
(fax): +1 336 661 9546  
**Service:** (tel): 800 858 4477 (Toll Free)  
(tel): +1 336 661 1556  
(fax): +1 336 661 1660

### REST OF WORLD

#### Moffat Limited

**Web:** www.moffat.co.nz  
**E.Mail:** export@moffat.co.nz

---

The reproduction or copying of any part of this manual by any means whatsoever is strictly forbidden unless authorized previously in writing by the manufacturer.

In line with policy to continually develop and improve its products, Moffat Ltd. reserves the right to change the specifications and design without prior notice.

© Copyright Moffat Ltd. November 2014.

---

### Waldorf Gas Range Electric Static / Convection Ovens

RN(L)(B)8910GE	Gas Range Electric Static Oven	900mm, 4 Burner.
RN(L)(B)8910GEC	Gas Range Electric Convection Oven	900mm, 4 Burner.

<b>Introduction</b> .....	<b>2</b>
<b>Specification</b> .....	<b>3</b>
Model Numbers Covered in this Specification	
General	
Gas Supply Requirements	
Gas Connection	
Electrical Supply Requirements	
Electrical Connection	
<b>Dimensions</b> .....	<b>7</b>
<b>Installation</b> .....	<b>8</b>
Installation Requirements	
Unpacking	
Location	
Clearances	
Assembly	
Fitting Rear Rollers	
Gas Connection	
Electrical Connection	
Commissioning	
<b>Operation</b> .....	<b>13</b>
Operation Guide	
Description of Controls	
Open Burners	
Oven	
<b>Cleaning and Maintenance</b> .....	<b>16</b>
Before Commencing Cleaning	
Open Burner Cleaning	
Oven Interior Cleaning	
Stainless Steel Surfaces	
<b>Fault Finding</b> .....	<b>18</b>
<b>Wiring Schematic</b> .....	<b>19</b>
<b>Gas Conversion and Specifications</b> .....	<b>23</b>
Conversion Procedure	
Gas Specifications	
<b>Replacement Parts List</b> .....	<b>27</b>

---

# Introduction

---

We are confident that you will be delighted with your WALDORF GAS RANGE ELECTRICAL STATIC / CONVECTION OVEN and it will become a most valued appliance in your commercial kitchen.

To ensure you receive the utmost benefit from your new Waldorf appliance, there are two important things you can do.

## Firstly:

Please read the instruction book carefully and follow the directions given. The time taken will be well spent.

## Secondly:

If you are unsure of any aspect of the installation, instructions or performance of your appliance, contact your WALDORF dealer promptly. In many cases a phone call could answer your question.

## CE Only:

These instructions are only valid if the country code appears on the appliance. If the code does not appear on the appliance, refer to the supplier of this appliance to obtain the technical instructions for adapting the appliance to the conditions for use in that country.



### Warning

**IMPROPER INSTALLATION, ADJUSTMENT, ALTERATION, SERVICE OR MAINTENANCE CAN CAUSE PROPERTY DAMAGE, INJURY OR DEATH. READ THE INSTALLATION, OPERATING AND MAINTENANCE INSTRUCTIONS THOROUGHLY BEFORE INSTALLING OR SERVICING THIS APPLIANCE.**

---



### Warning

**INSTRUCTIONS TO BE FOLLOWED IN THE EVENT THE USER SMELLS GAS ARE TO BE POSTED IN A PROMINENT LOCATION. THIS INFORMATION SHALL BE OBTAINED BY CONSULTING THE LOCAL GAS SUPPLIER.**

---



### Warning

**GREAT CARE MUST BE TAKEN BY THE OPERATOR TO USE THE EQUIPMENT SAFELY TO GUARD IT AGAINST RISK OF FIRE.**

- **THE APPLIANCE MUST NOT BE LEFT ON UNATTENDED.**
  - **IT IS RECOMMENDED THAT A REGULAR INSPECTION IS MADE BY A COMPETENT SERVICE PERSON TO ENSURE CORRECT AND SAFE OPERATION OF YOUR APPLIANCE IS MAINTAINED.**
  - **DO NOT STORE OR USE GASOLINE OR OTHER FLAMMABLE VAPOURS OR LIQUIDS IN THE VICINITY OF THIS OR ANY OTHER APPLIANCE.**
  - **DO NOT SPRAY AEROSOLS IN THE VICINITY OF THIS APPLIANCE WHILE IT IS IN OPERATION.**
- 



### Caution

- **This appliance is for professional use and is only to be used by qualified persons.**
  - **Only authorised service persons are to carry out installation, servicing or gas conversion operations.**
  - **Components having adjustments protected (e.g. paint sealed) by the manufacturer should not be adjusted by the user / operator.**
  - **DO NOT operate the appliance without the legs supplied fitted.**
-

## Model Numbers Covered in this Specification

RN[1]8910GE	4 Open Burners + Electric Static Oven.
RN[1]8910GEC	4 Open Burners + Electric Convection Oven.

### NOTE:

#### [1]: - Model Options;

- - Standard Models.
- L - Low Back Models.
- B - Bold Front.
- LB - Low Back and Bold Front.

#### [2] - Open Burner Options;

- F - With Flame Failure Protection.
- PF - With Pilot and Flame Failure Protection.

## General

A heavy duty, general purpose gas range created for compact modular kitchens. It is available on industrial adjustable feet or on robust rollers.

Open Burners are available in either 'PF' (Pilot and Flame Failure) or 'F' (Flame Failure Only) options. Open Burners are fitted with individual flame failure for each open burner. Easy clean stainless steel external finish.

# Specifications

## Gas Supply Requirements

- Australia:

	Natural Gas	LP Gas (Propane)
<b>Input Rate (N.H.G.C.)</b> - each Open Burner	28 MJ/hr	28 MJ/hr
<b>Supply Pressure</b>	1.13 - 3.40 kPa	2.75 - 4.50 kPa
<b>Burner Operating Pressure (*)</b>	0.95 kPa	2.6 kPa
<b>Gas Connection</b>	<sup>3</sup> / <sub>4</sub> " B.S.P. Male	

- New Zealand:

	Natural Gas	LP Gas
<b>Input Rate (N.H.G.C.)</b> - each Open Burner	28 MJ/hr	28 MJ/hr
<b>Supply Pressure</b>	1.13 - 3.40 kPa	2.75 - 4.50 kPa
<b>Burner Operating Pressure (*)</b>	0.95 kPa	2.6 kPa
<b>Gas Connection</b>	<sup>3</sup> / <sub>4</sub> " B.S.P. Male	

- UK Only:

Category: **II<sub>2H3P</sub> (20, 37)**.  
Flue Type: **A<sub>1</sub>**.

		Natural Gas (G20)	Propane (G31)
		Open Burner (each)	Open Burner (each)
<b>Heat Input (nett)</b>	<b>Nominal</b>	6.5 kW	6.5 kW
	<b>Reduced</b>	1.75 kW	1.75 kW
<b>Gas Rate (nett)</b>	<b>Nominal</b>	0.69 m <sup>3</sup> /hr	0.51 kg/hr
	<b>Reduced</b>	0.19 m <sup>3</sup> /hr	0.14 kg/hr
<b>Supply Pressure</b>		20 mbar	37 mbar
<b>Burner Operating Pressure (*)</b>		9.5 mbar	26 mbar
<b>Gas Connection</b>		<sup>3</sup> / <sub>4</sub> " B.S.P. Male	

\* Measure burner operating pressure at manifold test point with two burners operating at full setting. Operating pressure is ex-factory set through the appliance regulator and is not to be adjusted, apart from when carrying out gas conversion, if required. (Refer to 'Gas Conversion' section for details).

- All Other Markets:

	Natural Gas	Town Gas (**)
<b>Input Rate (N.H.G.C.)</b> - each Open Burner	28MJ/hr	28MJ/hr
<b>Supply Pressure</b>	1.13 - 3.40kPa	0.75 - 1.50kPa
<b>Burner Operating Pressure (*)</b>	0.95kPa	0.63 Pa
<b>Gas Connection</b>	See 'Gas Connection' information overleaf	

	LP Gas (Propane)	Butane
<b>Input Rate (N.H.G.C.)</b> - each Open Burner	28MJ/hr	28MJ/hr
<b>Supply Pressure</b>	2.75 - 4.50kPa	2.75 - 4.50kPa
<b>Burner Operating Pressure (*)</b>	2.6kPa	2.6kPa
<b>Gas Connection</b>	See 'Gas Connection' information overleaf	

**NOTE:**

- (\*) Measure Burner operating pressure at manifold test point with 2 burners operating at 'High Flame' setting.
- NAT, LPG & Butane Only - Operating pressure is ex-factory set and is not to be adjusted, unless when converting between gases, if required.
- (\*\*) TOWN GAS Only - Adjust burner operating pressure using adjustable gas regulator supplied.
- Refer to 'Gas Conversion and Specifications' section in this manual for further details.

**Gas Connection**

Gas supply connection point is located at rear of appliance, approximately 130mm from right hand side, 32mm from rear and 655mm from floor and is reached from beneath appliance. (Refer to 'Dimensions' section).

Connection is 3/4" BSP male thread.

# Specifications

## Electrical Supply Requirements

MODEL	1-Phase Connection	3-Phase Connection	
	1P+N+E 230-240V	3P+N+E 400-415V	
RN8910GE	6.5 kW, 26.6 Amps @ 235 V	6.5 kW	L1 - 8.2 Amps L2 - 9.2 Amps L3 - 9.2 Amps
RN8910GEC	6.8 kW, 27.9 Amps @ 235 V	6.8 kW	L1 - 9.5 Amps L2 - 9.2 Amps L3 - 9.2 Amps

## Electrical Connection

Electrical supply connection point is located at rear of appliance, approximately 80mm from right hand side, 466mm from rear and 150mm from floor.

When connecting this electric appliance to mains supply, ensure the following is carried out:-

- An isolating switch is fitted within 2m of appliance, but not on appliance and in such a position that user does not have to reach across cooking surface.
- Supply cord shall be oil-resistant, sheathed flexible cable and not lighter than ordinary polychloroprene or other equivalent synthetic elastomer sheathed cord (as per AS / NZS 3191 part 2.10.11. or IEC 60245-IEC-57) e.g. HO5 RN-F Type.
- Branch supply line shall be individually overload protected to correct current rating and supply chord shall be protected against any mechanical or thermal damage.
- A grommet is fitted around wiring entry hole into appliance.
- All wiring connections must be tight.

Refer to appropriate wiring standards for size of cable to be supplied to an appliance for current drawn on that line.

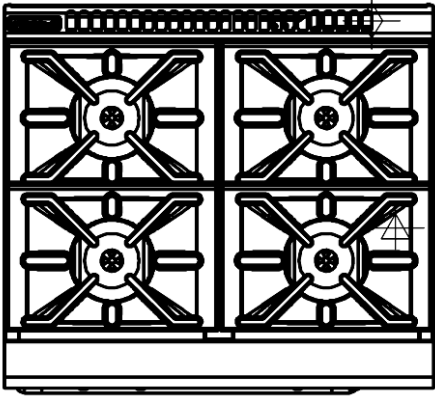
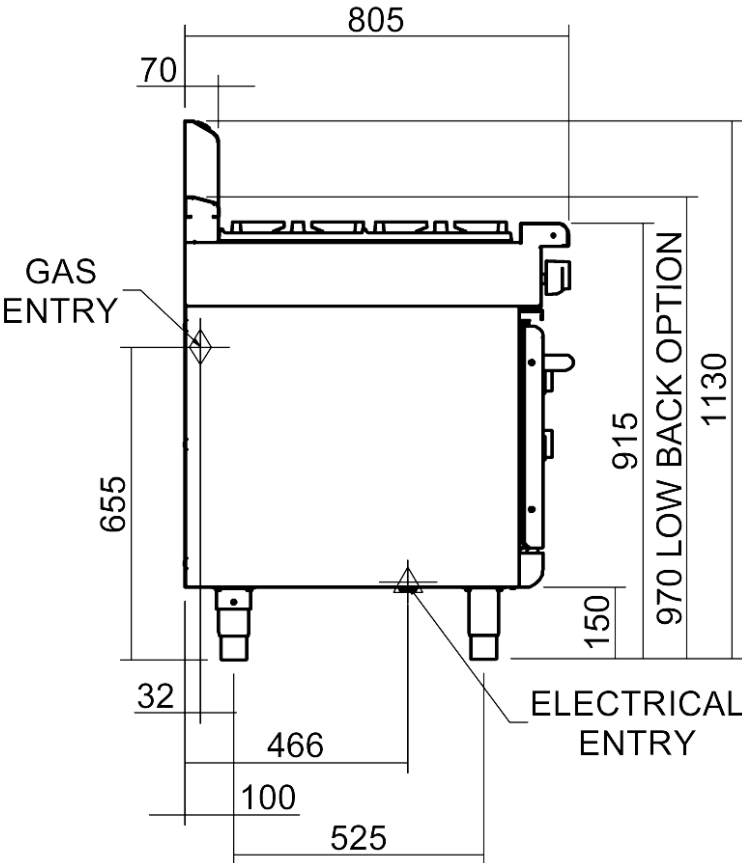
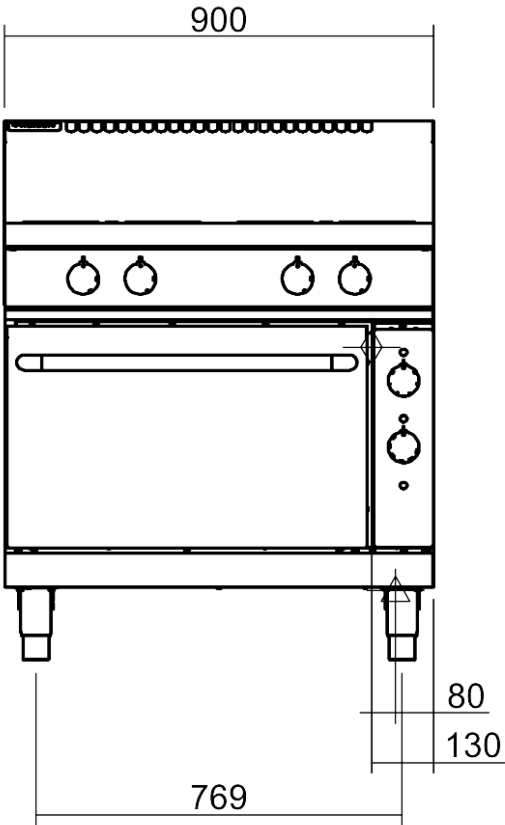


### Warning

**THIS APPLIANCE MUST BE EARTHED. IF SUPPLY CORD IS DAMAGED, IT MUST BE REPLACED BY A SUITABLY QUALIFIED PERSON IN ORDER TO AVOID A HAZARD.**



RN(L)8910GE / GEC



Refer to Page 8 for Cook Top Options

# Installation

---

## Installation Requirements

### NOTE:

- It is most important that this appliance is installed correctly and that operation is correct before use. Installation shall comply with local electrical, gas, health and safety requirements.
- This appliance shall be installed with sufficient ventilation to prevent the occurrence of unacceptable concentrations of health harmful substances in the room, the appliance is installed in.

Waldorf Gas Range Electrical Ovens are designed to provide years of satisfactory service, and correct installation is essential to achieve best performance, efficiency and trouble-free operation.

This appliance must be installed in accordance with National installation codes and in addition, in accordance with relevant National / Local codes covering gas, electrical and fire safety.

<b>Australia:</b>	- AS5601	- Gas Installations.
<b>New Zealand:</b>	- NZS5261	- Gas Installation.
<b>Australia / New Zealand:</b>	- AS / NZS3000	- Wiring Rules.
<b>United Kingdom:</b>	- Gas Safety (Installation & Use) Regulations 1998.	
	- BS6173	- Installation of Catering Appliances.
	- BS5440 1 & 2	- Installation Flueing & Ventilation.
	- BS7671	- Requirements for Electrical Installation.
<b>Ireland:</b>	- IS 820	- Non - Domestic Gas Installations.

**Installations must be carried out by qualified persons only. Failure to install equipment to relevant codes and manufacturer's specifications shown in this section will void the warranty.**

**Components having adjustments protected (e.g. paint sealed) by manufacturer are only to be adjusted by an authorised service agent. They are not to be adjusted by the installation person.**

## Unpacking

- Remove all packaging and transit protection from appliance including all protective plastic coating from exterior stainless steel panels.
- Check equipment and parts for damage. Report any damage immediately to carrier and distributor.
- Report any deficiencies to distributor who supplied the appliance.
- Check available gas and electrical supply is correct to as shown on rating plate located on front right hand corner of bottom sill.

## Location

1. Installation must allow for sufficient flow of fresh air for the combustion air supply.

<b>Combustion Air Requirements:</b>	
<b>Natural Gas</b>	29 m <sup>3</sup> /hr
<b>LPG / Propane</b>	30 m <sup>3</sup> /hr
<b>Town Gas</b>	29 m <sup>3</sup> /hr

2. Installation must include adequate ventilation means, to prevent dangerous build up of combustion products.
3. Never directly connect a ventilation system to appliance flue outlet.
4. Position appliance in its approximate working position.
5. All air for burner combustion is supplied from beneath appliance. Legs must always be fitted and no obstructions placed on underside or around base of appliance, as obstructions will cause incorrect operation and / or failure of appliance.

**NOTE: Do not obstruct or block appliances flue. Never directly connect a ventilation system to appliance flue outlet.**

## Clearances

**NOTE:** Only non-combustible materials can be used in close proximity to this appliance.

	Combustible Surface	Non Combustible Surface
Left / Right hand side	250mm (*)	0mm
Rear	100mm	0mm

\* Side clearances can be 50mm when adjacent surface is at least 100mm below cooking surface.

## Assembly

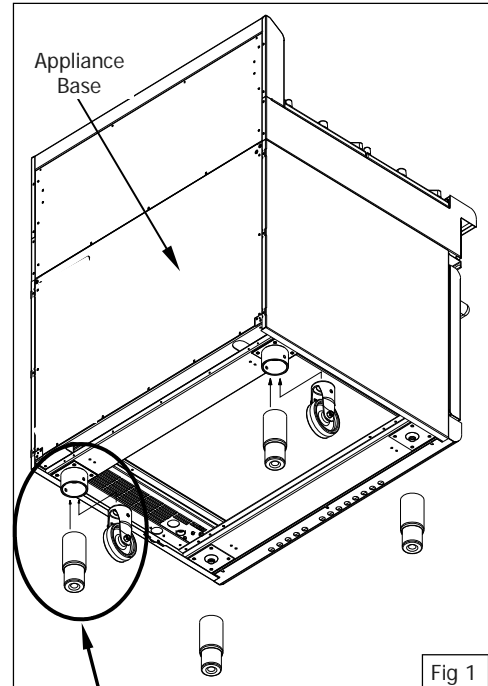
This model is delivered completely assembled. Ensure that the legs are securely attached.

### NOTE:

- This appliance is fitted with adjustable feet to enable it to be positioned securely and level on uneven floors. This should be carried out on completion of gas connection. Refer to 'Gas Connection Section'.
- This appliance can also be fitted with rear rollers to enable appliance to be easily moved for positioning and cleaning purposes. If desired, these rollers are supplied in packaging, with appliance. See below for fitting instructions.

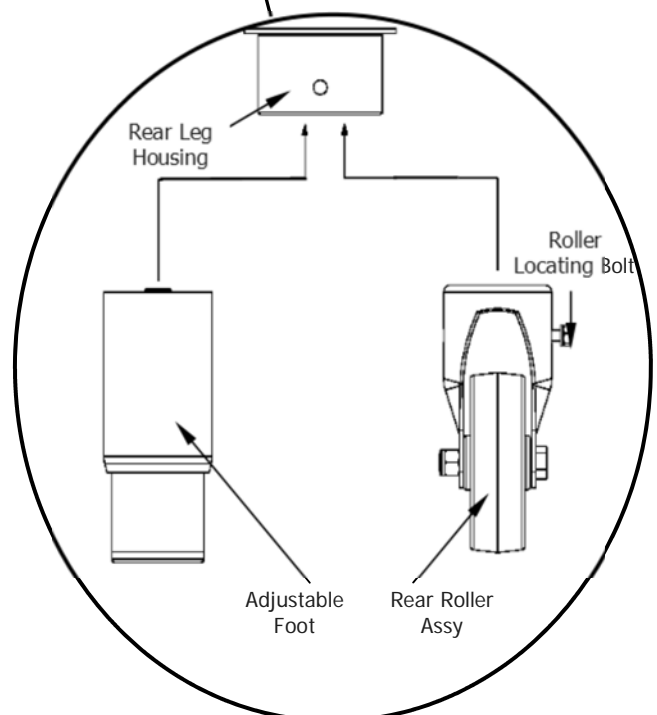
### Optional Accessories (Refer to Replacement Parts List)

- Plinth Kit. For installation details, refer to instructions supplied with each kit.



### Fitting Rear Rollers.

1. Raise appliance from floor by approx. 75mm using suitable lifting equipment (i.e. Palletiser / Forklift) to allow rear adjustable feet to be removed.
2. Unscrew and remove both rear adjustable feet from rear leg housings.
3. Fit rear roller to rear leg housing and align screw hole in side of rear leg housing with threaded hole in rear roller.
4. Secure rear roller to leg support with bolt supplied and tighten bolt using a 10mm A/F spanner.
5. Fit second roller and tighten.
6. Lower appliance back to floor and adjust front adjustable feet to level appliance.



# Installation

## Gas Connection

**NOTE: ALL GAS FITTING MUST ONLY BE CARRIED OUT BY A QUALIFIED SERVICE PERSON.**

1. It is essential that gas supply is correct for appliance being installed and that adequate supply pressure and volume are available. The following checks should be made before installation:-
  - a. **Gas Type** the appliance has been supplied for is shown on coloured stickers located above gas entry point and on rating plate. Check this is correct for gas supply the appliance is being installed for. Gas conversion procedure is detailed in this manual.
  - b. **Supply Pressure** required for this appliance is shown in 'Specifications' section of this manual. Check gas supply to ensure adequate supply pressure exists.
  - c. **The Input Rate** of this appliance is stated on Rating Plate and in 'Specifications' section of this manual. Input rate should be checked against available gas supply line capacity. **Particular note should be taken if appliance is being added to an existing installation.**



**NOTE: It is important that adequately sized piping runs directly to connection joint on appliance with as few tees and elbows as possible to give maximum supply volume.**

2. Fit gas regulator supplied, into gas supply line as close to appliance as possible.

**NOTE: Gas pressure regulator provided with this appliance is convertible between Natural Gas and LPG as shown in 'Gas Conversion Section' in this manual. Ensure regulator is converted to correct gas type that appliance will operate on. Regulator outlet pressure is fixed ex-factory for gas type that regulator is converted to and it is NOT to be adjusted.**

Regulator connections are  $\frac{3}{4}$ " BSP female.

Connection to the appliance is  $\frac{3}{4}$ " BSP male.

(Refer to 'Specifications' section for gas supply location dimensions).

**NOTE: A Manual Isolation Valve must be fitted to individual appliance supply line.**

3. Correctly locate appliance into its final operating position and using a spirit level, adjust legs so that unit is level and at correct height.
4. Connect gas supply to appliance. A suitable jointing compound which resists breakdown action of LPG must be used on every gas line connection, unless compression fittings are used.
5. Check all gas connections for leakages using soapy water or other gas detecting equipment.



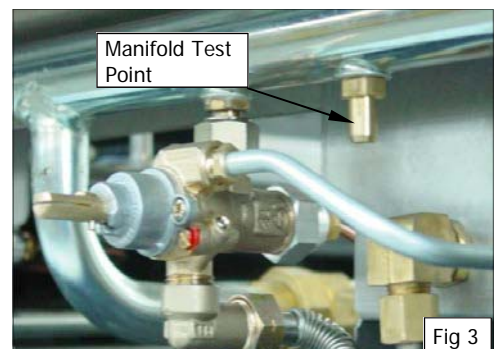
### Warning

**DO NOT USE A NAKED FLAME TO CHECK FOR GAS LEAKAGES.**

6. Check gas operating pressure is as shown in 'Specifications' section.

**NOTE: Measure burner operating pressure at manifold test point with 2 burners operating at 'Full' setting.**

7. Verify operating pressure remains correct.



## Electrical Connection



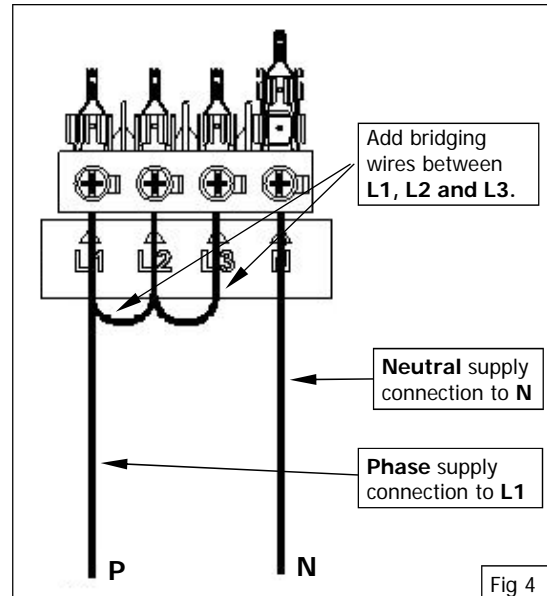
### Warning

**THIS APPLIANCE MUST BE EARTHED. IF SUPPLY CORD IS DAMAGED, IT MUST BE REPLACED BY A SUITABLY QUALIFIED PERSON IN ORDER TO AVOID A HAZARD.**

**NOTE: ALL ELECTRICAL CONNECTIONS MUST ONLY BE CARRIED OUT BY A QUALIFIED PERSON.**

Each appliance should be connected to an adequately protected power supply and an isolation switch mounted adjacent to, but not behind appliance. This switch must be clearly marked and readily accessible in case of fire.

1. Check electricity supply is correct as shown on Rating Plate attached to lower front hand side of front sill panel.
2. Supply terminal connections are located at rear of appliance. Refer to 'Electrical Connections' in 'Dimensions' section of manual.
3. Open oven door and remove oven control panel to allow connection access for electrical supply.
4. Connect mains supply to L1, L2 and L3 connection terminals. Refer to 'Electrical Supply Requirements' section for connection details.



**NOTE: This appliance can be converted from 3 Phase to Single Phase supply by connecting single phase input to L1 and adding a bridge wire between L1, L2 and L3 connections, (refer to Fig 4 above and information shown in 'Electrical Supply Requirements Table' in 'Specifications' Section).**



### Caution

**Changing supply from 3 phase to single phase will increase electrical current loading on supply cable. Ensure supply cable used is of a sufficient size for current loading, refer to 'Electrical Supply Requirements' table.**

5. Connect neutral and earth conductors to neutral stud and earth stud respectively.
6. For all connections ensure conductors are secure and appropriately terminated.
7. Tighten cable gland to prevent tension on cable.
8. Check polarity of each connection is correct to mains connection terminals markings on appliance.

### NOTE:

- **This appliance must be earthed.**
- **Fixed wiring installations must incorporate an all-pole disconnection switch.**

9. Correctly locate appliance into its final operating position and using a spirit level, adjust legs so that appliance is level and at correct height.
10. Connect power supply to appliance.
11. Check electrical supply is within input rating specification, refer to 'Specifications' section).

# Installation

---

## Commissioning

1. Before leaving the new installation;
  - a. Check the following functions in accordance with operating instructions specified in 'Operation' section of this manual.
    - Light the Open Burners. (F - Flame Failure Option).
    - Light the Open Burners. (PF - Pilot and Flame Failure Option).
    - Check the Low Fire Burner Operation.
    - Check the High Fire Burner Operation.
    - Check the Oven Heating.
    - Check the Oven Thermostat Operation.
    - Check the Oven Fan Operation. (GEC Models only).
  - b. Ensure operator has been instructed in the areas of correct lighting, operation, and shutdown procedure for appliance.
2. This manual must be kept by owner for future reference, and a record of ***Date of Purchase, Date of Installation*** and ***Serial Number of Appliance*** recorded and kept with this manual. ***(These details can be found on Rating Plate attached to front right hand corner of bottom sill. Refer to 'Gas Connection' section).***

**NOTE: If it is not possible to get the appliance to operate correctly, shut 'Off' the gas supply to the appliance and contact appliance supplier.**

## Operation Guide



**Caution**

- This appliance is for professional use and is only to be used by qualified persons.
- Only authorised service persons are to carry out installation, servicing or gas conversion operations.
- Components having adjustments protected (e.g. paint sealed) by the manufacturer should not be adjusted by the user / operator.

1. Waldorf appliances have been designed to provide simplicity of operation and 100% safety protection.
2. Improper operation is almost impossible, however bad operation practices can reduce the life of the appliance and produce a poor quality product. To use this appliance correctly please read the following sections carefully:-
  - Lighting the Open Burners (PF - Pilot and Flame Failure Option).
  - Lighting the Open Burners (F - Flame Failure Option).
  - Oven.






## Description of Controls





Heating Indicator Lamps (Amber) for Top & Bottom Elements

Power Indicator Lamp (green)

Fig 5

- Open Burner Option**
-  OFF Position
  -  HIGH Flame
  -  LOW Flame
  -  Rear Burner
  -  Front Burner
- (Indicators located above the Gas Control Knobs).

- Oven Thermostat Control**
- 
-  OFF Position
- Temperature Graduations 50°C to 320°C

- Oven Top Heat Control**
- 
-  OFF Position
  - LOW** Position
  - 1** Position
  - 2** Position
  - 3** Position
  - 4** Position
  - HIGH** Position

## Operation

---

### Open Burners ('F' - Flame Failure Option)

#### Lighting the Open Burners

Flame Failure Protection is incorporated for each burner by way of a thermo-electric system which will shut off gas supply to that burner in the event that burner goes out, so that un-burnt gas is not expelled.

- a. Select burner required, depress and turn the gas control knob anti-clockwise to 'HIGH' position.
- b. Hold gas control knob depressed and manually light main burner.
- c. Release gas control knob after approximately 10-20 seconds after lighting burner.
- d. Burner should stay alight - if not, repeat Steps (a. to (c. above).
- e. To adjust the temperature required, depress and rotate gas control knob between 'HIGH' and 'LOW' positions.

#### Turning 'OFF' the Open Burners

- a. When main burner is not required, depress and turn gas control knob clockwise back to 'OFF' position. 'MAIN' burner will extinguish.

### Open Burners ('PF' - Pilot and Flame Failure Option)

#### Lighting the Open Burners

These hobs are fitted with individual standing pilots for each open burner which allows main burners to be turned 'ON' - 'OFF' without having to manually re-light burner each time that it is turned 'ON', as burner will automatically light itself off the pilot burner.

Flame Failure Protection is incorporated for each burner by way of a thermo-electric system which will shut off gas supply to that burner in the event that burner goes out, so that un-burnt gas is not expelled.

- a. Select burner required, depress and turn the gas control knob anti-clockwise to 'PILOT' position.
- b. Hold gas control knob depressed and manually light pilot burner.
- c. Release gas control knob after approximately 10-20 seconds after lighting pilot burner.
- d. Pilot burner should stay alight - if not, repeat Steps (b. to (c. above).
- e. To select 'Full Flame', depress and rotate gas control knob anti-clockwise to first stop 'HIGH' flame position.
- f. To select 'Low Flame', depress and rotate gas control knob fully anti-clockwise to 'LOW' flame position.
- g. To adjust the temperature required, depress and rotate gas control knob between 'HIGH' and 'LOW' positions.

#### Turning 'OFF' the Open Burners / Pilots

- a. To turn 'OFF' main burner, but keep pilot burner alight, rotate gas control knob to 'PILOT' position. Main burner will extinguish and pilot will remain alight.
- b. To turn 'OFF' the 'PILOT', depress and turn gas control knob clockwise back to 'OFF' position. 'PILOT' burner will extinguish.

---

#### **IMPORTANT:**

**Should any abnormal operation like;**

- ignition problems,
  - abnormal burner flame,
  - burner control problems,
  - partial or full loss of burner flame in normal operation, appliance requires **IMMEDIATE service by a qualified service person and should not be used until a service is carried out.**
-



### Ovens

**! IMPORTANT** DO NOT USE aluminium foil or trays directly on cast iron sole plate(s). NEVER block or cover openings on each side of sole plate(s).

1. Oven is fitted with top and bottom elements. The thermostat maintains oven temperature by controlling both elements. Top element is further controlled by an energy regulator. Convection Ovens (RN(L)8910GEC) are fitted with a circulation fan.
2. Place oven racks in desired position.

**NOTE: The oven thermostat provides overall control of the temperature within the oven by controlling both elements, whereas the Oven Top Heat Control provides a means of balancing the distribution of heat between top and bottom of oven.**

3. **Preheat:**  
Preheat oven by selecting desired temperature, and turning oven top heat control to a maximum of 2. When desired temperature is reached, Amber Neons will go out.
4. **Cooking:**  
When desired temperature has been reached, turn top element control to 'OFF' position.
5. **Top Heat:**  
To obtain more top heat during cooking, turn top heat control to 'ON' position. (The higher the setting, the more top heat).
6. **For Browning:**  
Turn oven top element control to maximum and oven temperature to a 'LOW' setting (about 120°C) or just above 'Light On' position, if previously working at higher temperatures.
7. **Turning 'OFF' the Oven:**
  - a. Turn oven top heat control to 'O' off position. Top heating will be turned 'OFF' and upper heating indicator lamp (Amber) will extinguish.
  - b. Turn thermostat control knob to 'O' off position and lower heating indicator lamp will extinguish. The oven is now turned 'OFF'.

# Cleaning and Maintenance

## Before Commencing Cleaning



Caution

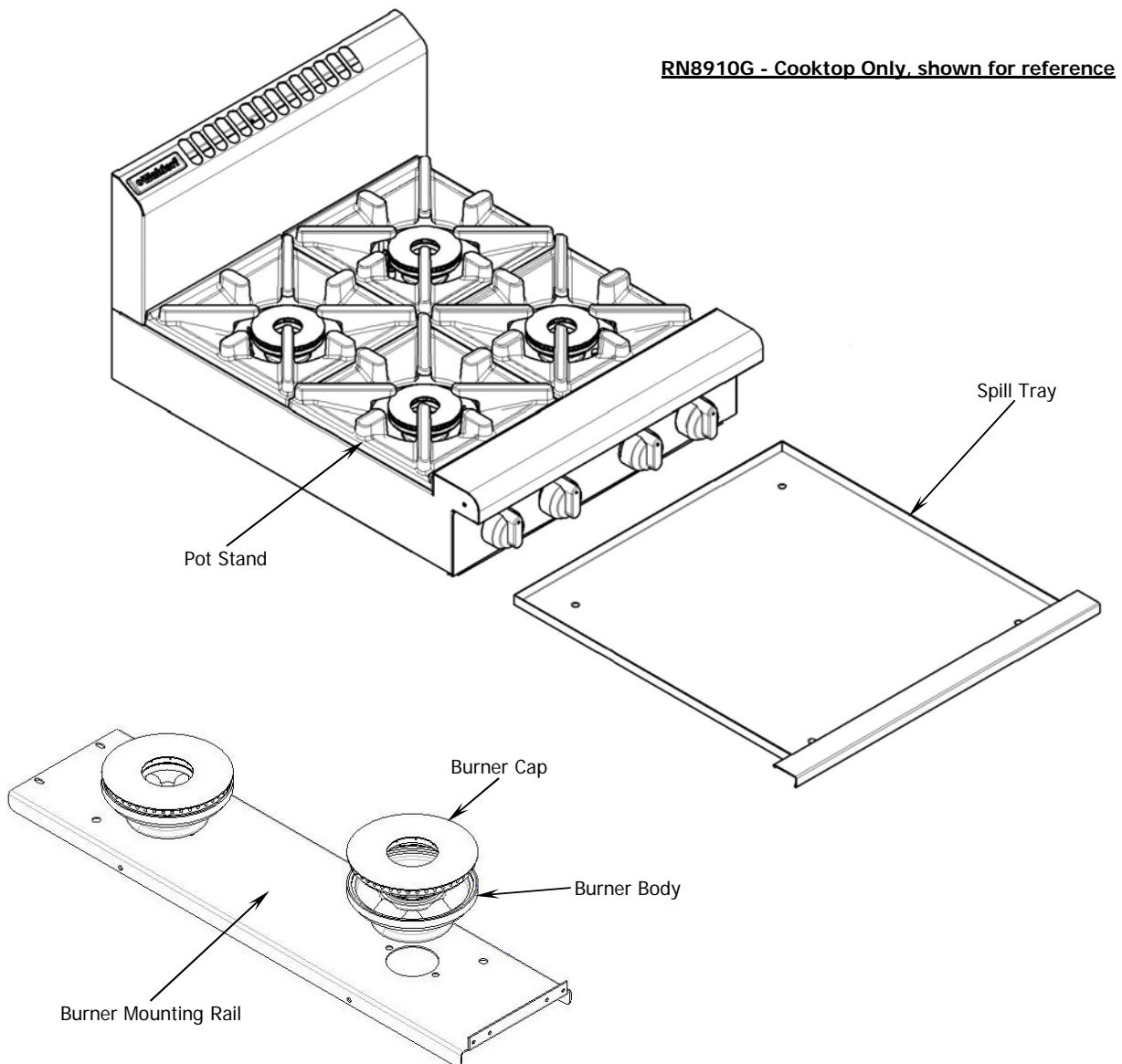
Always turn off the gas / electrical supply before cleaning the appliance.

This appliance is not water proof. Do not use water jet spray to clean interior or exterior of this appliance.

### NOTE:

- Allow appliance to cool before commencing cleaning.
- DO NOT use abrasive or strong caustic detergents as they could corrode or damage the Cooktop.
- Ensure that any detergent or cleaning material has been completely removed after each cleaning.

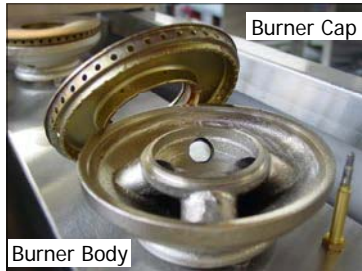
To keep your Cooktop clean and operating at peak efficiency, follow the procedures shown overleaf:-



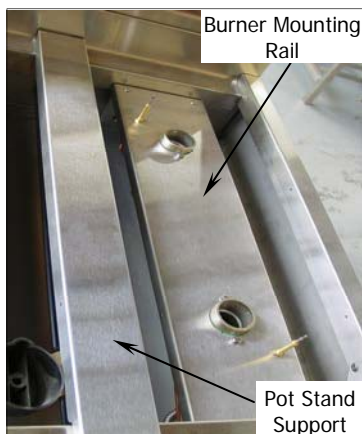
### Open Burner Cleaning

1. Remove pot stands, burner caps, burner bowls and pot stand supports from top of cooktop. Wash with hot soapy water, using a soft bristled brush. Dry thoroughly with a dry cloth. Any baked-on deposits can be scraped off using a scraper tool.

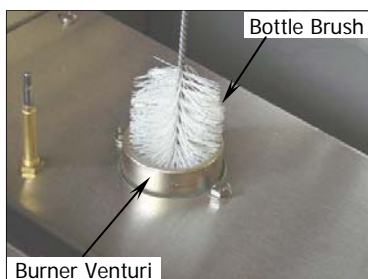
**NOTE: Pot stands, burner bowls and pot stand supports can be washed in a dish washer. Do Not wash burner caps in dishwasher.**



2. Burner mounting rails should not be removed. Clean in situ with hot soapy water.



3. Clean burner venturi with a bottle brush and hot soapy water, as required.



4. Empty spill tray and wash with warm soapy water.
5. Dry all components thoroughly and re-assemble.

### Oven Interior Cleaning

1. Do not use wire brushes, steel wool or other abrasive materials to clean oven interior.
2. Clean oven regularly with a good quality domestic oven cleaner.
3. Weekly - Remove and clean any built up of grease etc. from oven racks and bottom spill cover.
4. Dry oven thoroughly with a dry cloth and polish with a soft dry cloth.

### Stainless Steel Surfaces

1. Clean stainless steel surfaces with hot soapy water and a soft bristled brush.
2. Baked on deposits or discolouration, use a good quality stainless steel cleaner or stainless steel wool. Always rub in direction of grain.

## Fault Finding

This section provides an easy reference guide to more common problems that may occur during operation of your appliance. The fault finding guide in this section is intended to help you correct, or at least accurately diagnose problems with your equipment.

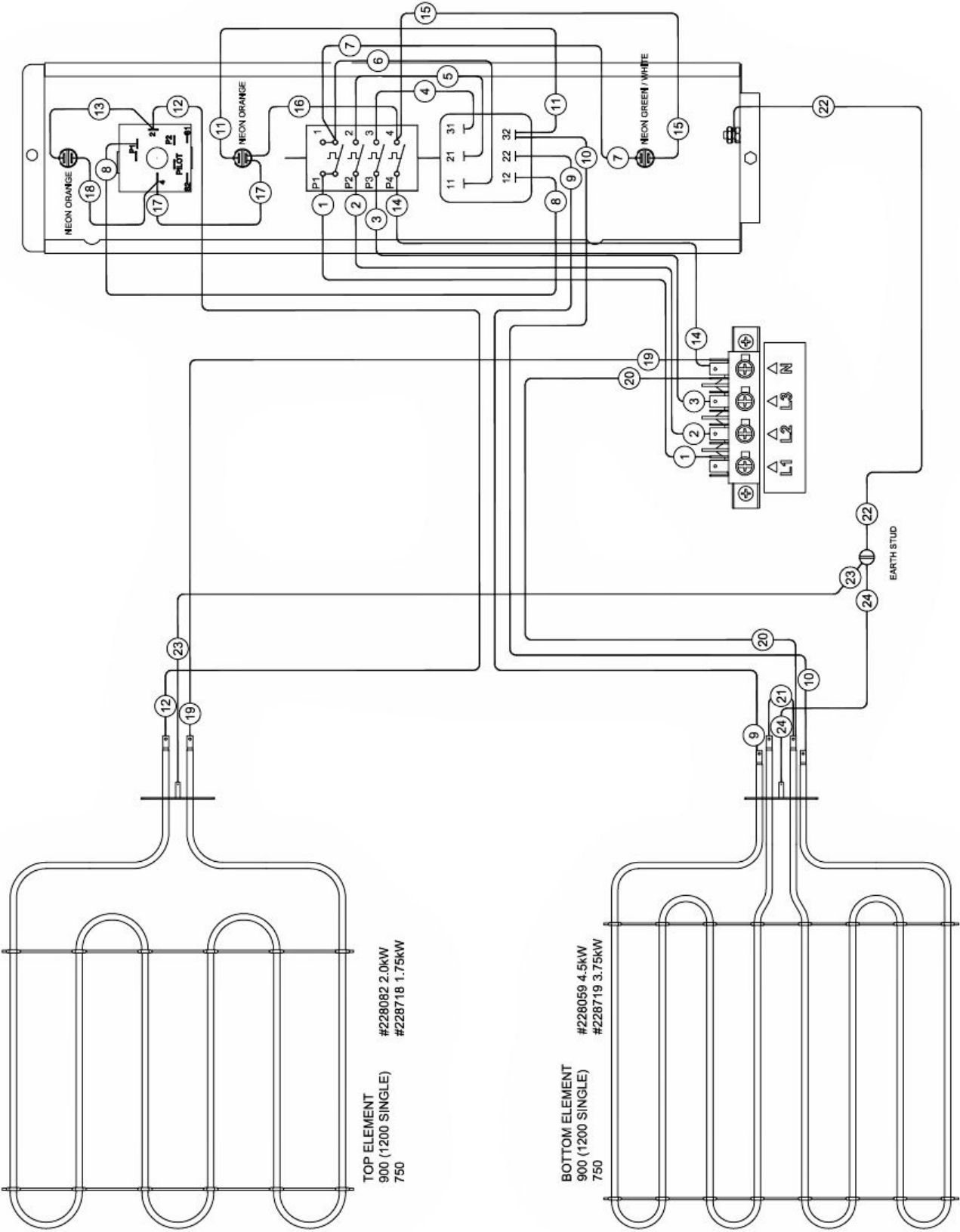
Although this section covers most common problems reported, you may encounter a problem not covered in this section. In such instances, please contact your local authorised service agent who will make every effort to help you identify and resolve the problem. Please note that the service agent will require the following information:-

- **Model Trade Name and Serial Number of Appliance. (both can be found on the Technical Data Plate located on the appliance.**

Fault	Possible Cause	Remedy
Pilot will not light.	No gas supply.  Blocked pilot injector.	Ensure gas isolation valve is turned on, and bottles are not empty.  Call service provider.
Pilot goes out when gas control knob released.	Releasing knob before thermocouple has heated.  Pilot flame too small. - Gas pressure too low. - Partially blocked pilot injector.  Thermocouple connection to gas control loose or faulty.  Thermocouple faulty.  Electromagnet in rear of gas control unit is faulty.	Hold knob in for at least 20 seconds following ignition of pilot.  Clean or replace pilot injector.  Tighten thermocouple connection.  Check thermo couple is producing between 20-30mV.  Inspect and replace if not in good working order.  Call service provider.
Main burner will not light.	Incorrect supply pressure.  Faulty gas control.	  Call service provider.
Element does not work when turned 'ON'.	Check individual fuses located behind control panel.  Check for an electrical short by checking there is NO continuity between any 'Phase In' line and metal appliance body itself.  Check for item failing (element, control etc) by using a multi-meter.	Replace blown fuse.  Call service provider.  Call service provider.
Complete power failure of appliance	Check fuse connection at mains supply.  Ensure fuse size is correct to carry the load.  Check for an electrical short to appliance.	Replace blown fuse.  Carry out a continuity and resistance check on appliance.  Call service provider.

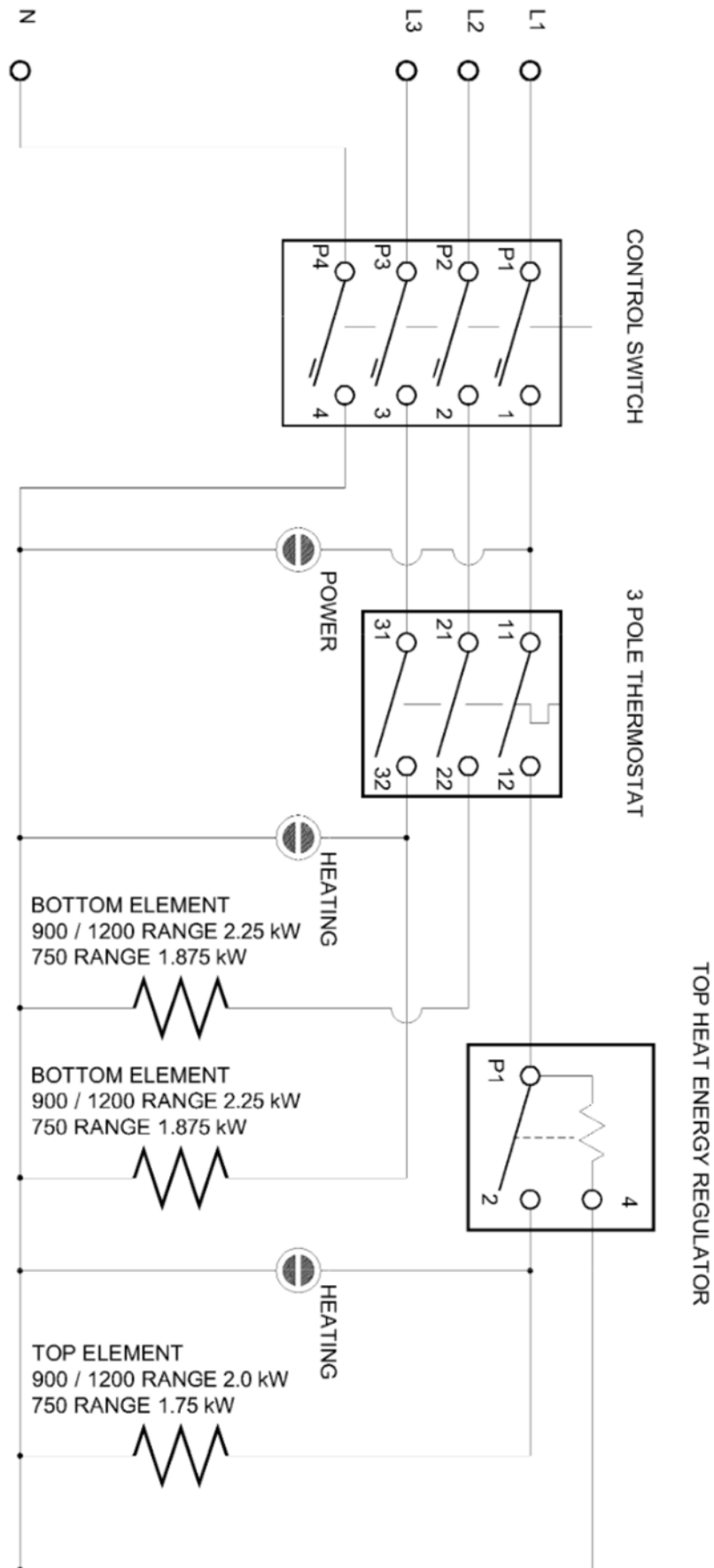
**NOTE: Components having adjustments protected (e.g. paint sealed) by manufacturer, are only to be adjusted by an authorised service agent. They are not to be adjusted by an unqualified service person.**

RN8910GE Wiring Schematic

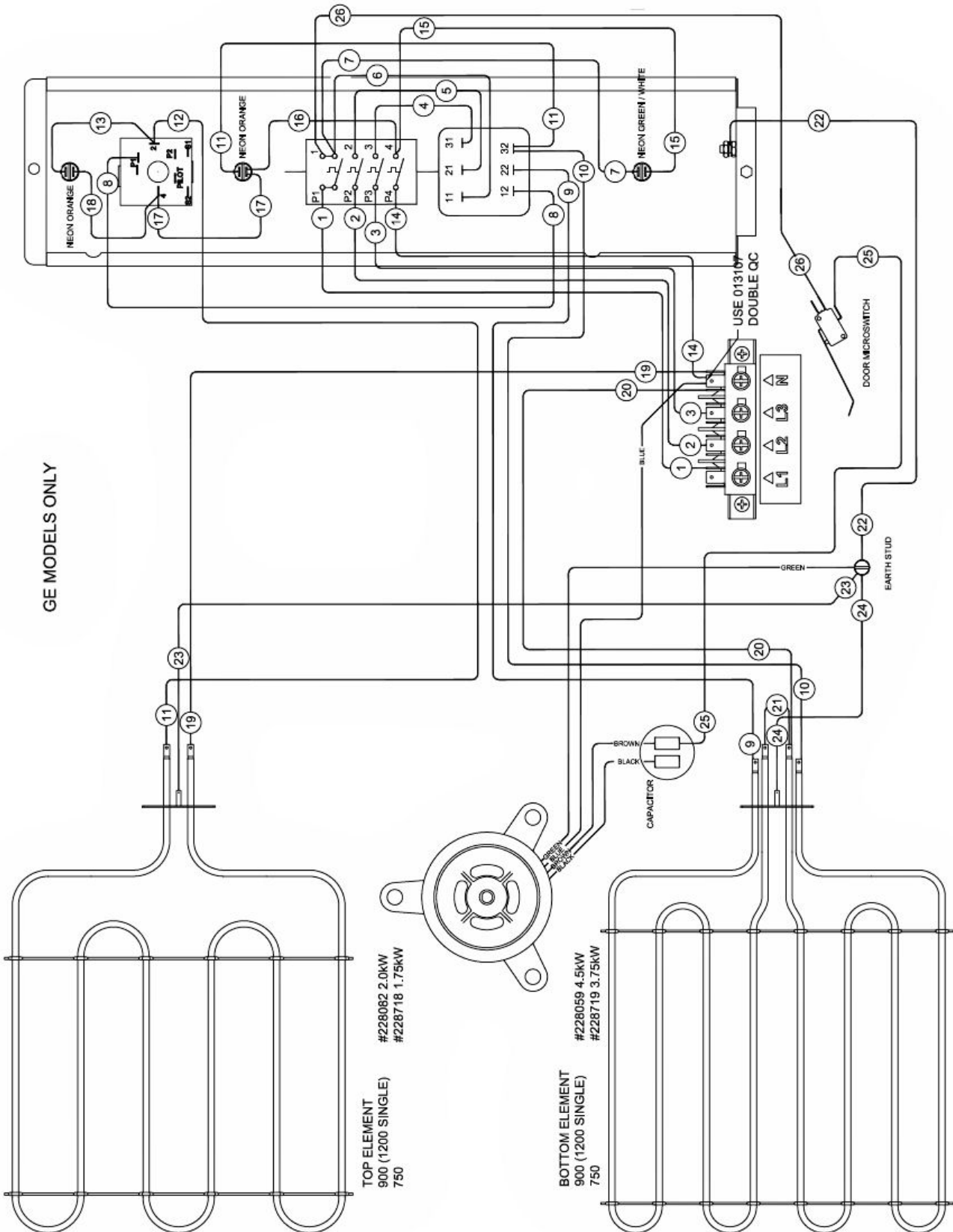


# Wiring Schematic

## RN8910GE - Wiring Diagram

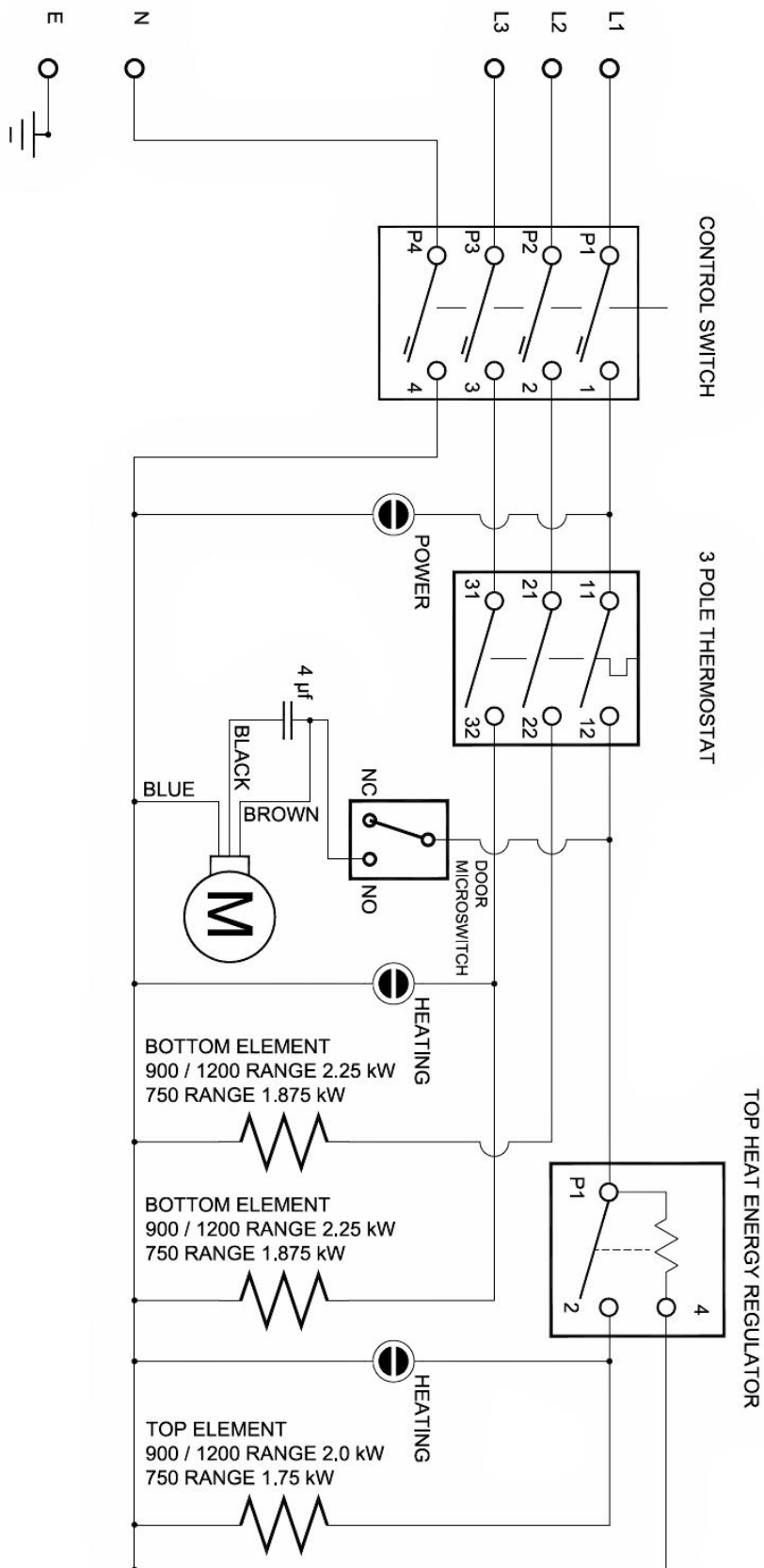


## RN8910GEC Wiring Schematic



# Wiring Schematic

## RN8910GEC - Wiring Diagram





## Conversion Procedure



Caution

Ensure that the Appliance is isolated from the gas supply before commencing servicing.

### NOTE:

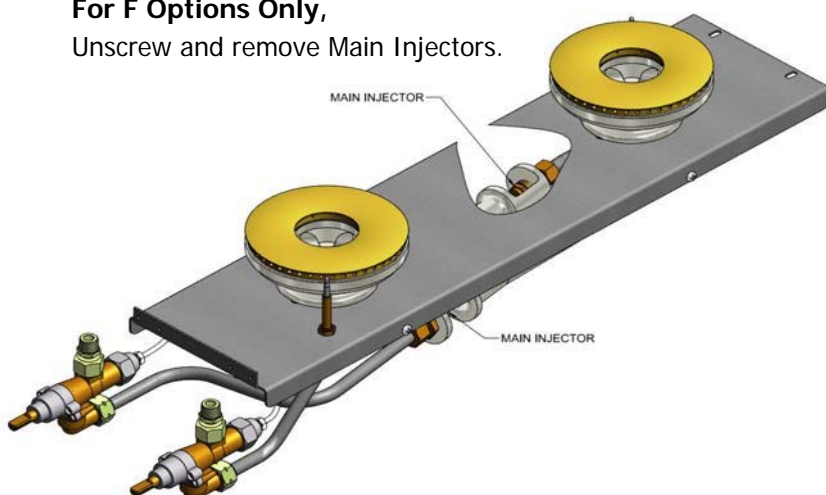
- These conversions should only be carried out by qualified persons. All connections must be checked for leaks before re-commissioning the appliance.
- Adjustment of components that have adjustments / settings sealed (e.g. paint sealed) can only be adjusted in accordance with the following instructions and shall be re-sealed before re-commissioning this appliance.
- For relevant gas specifications refer to 'Gas Specifications Tables' at end of this section.

### Open Burners.

1. Remove the pot stands, burner caps and burner bodies and the pot stand supports.
2. Remove injectors and replace with correct size injectors as shown in 'Gas Specifications Tables' at end of this section.

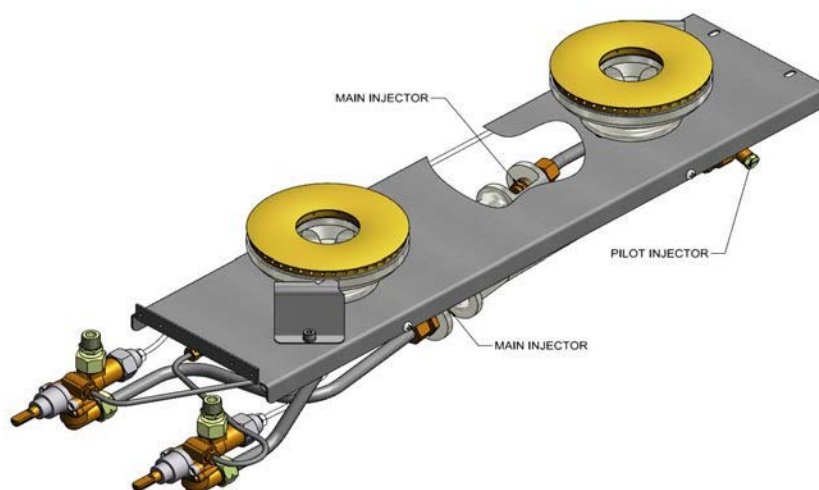
#### For F Options Only,

Unscrew and remove Main Injectors.

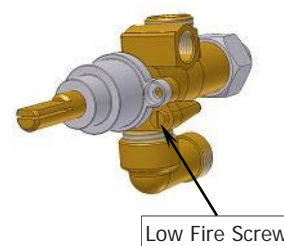


#### For PF Options Only,

Unscrew and remove Main and Pilot Injectors.



3. Refit the pot stand supports, pot stands, burner caps and burner bodies.
4. Re-light main burners and check flame size on simmer (LOW) position.
  - Adjust low fire adjustment screw on open burner gas control valves to obtain desired flame size.

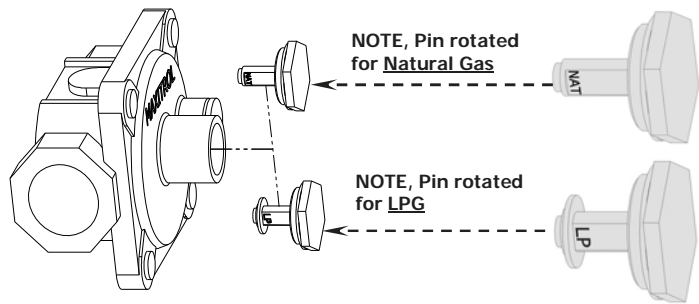


NOTE: The 'Low Fire Screw' should be sealed with coloured paint on completion of low fire adjustment.

# Gas Conversion and Specifications

## Gas Regulator

**NOTE:** Gas regulator supplied is convertible between Natural Gas and LP Gas, but its outlet pressure is fixed ex-factory and is NOT to be adjusted.

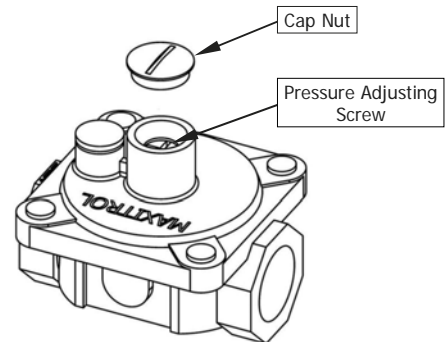


### - Town Gas Only.

1. Remove slotted cap from regulator.
2. Turn 'On' gas supply and appliance.
3. Adjust pressure adjusting screw to achieve correct burner operating pressure.

**NOTE:** Measure operating pressure at manifold test point with two burners operating at 'High Flame' setting.

4. Verify operating pressure remains correct (Re-adjust regulator if required).
5. Screw cap nut back onto regulator.



## Gas Type Identification Label

On completion of gas conversion, replace gas type identification label located at:-

- Rear of appliance, above gas connection point.
- Beside rating plate.

## Commissioning

Before leaving the installation;

1. Check all gas connections for leakage using soapy water or other gas detecting equipment.





### Warning

**DO NOT USE A NAKED FLAME TO CHECK FOR GAS LEAKAGES.**



2. Carry out a 'Commissioning' check of appliance as shown in Installation Section of this manual.
3. Ensure any paint sealed components are re-sealed on completion of adjustments.

## Gas Specifications

- Australia:



		Natural Gas	LP Gas (Propane)
Open Burner	Main Burner Injectors	Ø 2.45mm	Ø 1.50mm
	Pilot Burner ('PF' Option Only)	0.30	0.20
Supply Pressure		1.13 - 3.40 kPa	2.75 - 4.50 kPa
Burner Operating Pressure (*)		0.95 kPa	2.6 kPa
Gas Regulator Cap Screw			

- New Zealand):

		Natural Gas	LP Gas
Open Burner	Main Burner Injectors	Ø 2.45mm	Ø 1.50mm
	Pilot Burner ('PF' Option Only)	0.30	0.20
Supply Pressure		1.13 - 3.40 kPa	2.75 - 4.50 kPa
Burner Operating Pressure (*)		0.95 kPa	2.6 kPa
Gas Regulator Cap Screw			

- UK Only:


Category: **II<sub>2H3P</sub> (20, 37)**.  
 Flue Type: **A<sub>1</sub>**.


		Natural Gas (G20)	Propane (G31)
Open Burner	Main Burner Injectors	Ø 2.30mm	Ø 1.40mm
	Pilot Burner ('PF' Option Only)	0.30	0.20
Supply Pressure		20 mbar	37 mbar
Burner Operating Pressure (*)		9.5 mbar	26 mbar
Gas Regulator Cap Screw			

- (\*) Measure burner operating pressure at manifold test point with **two burners** operating at full setting. Operating pressure is ex-factory set, through the appliance regulator and is not to be adjusted, apart from when carrying out Gas Conversion, if required. (Refer to information in this section for details).

## Gas Conversion and Specifications

- All Other Markets:

		Natural Gas	Town Gas (**)
Open Burner	Main Burner	Ø 2.45mm	Ø 4.50mm
	Pilot Burner ('PF' Option Only)	0.30	0.60
Supply Pressure		1.13 - 3-4 kPa	0.75 - 1.50 kPa
Burner Operating Pressure (*)		0.95 kPa	0.63 kPa
Gas Regulator Cap Screw			Adjustable Regulator (Adjust to Burner Operating Pressure specified).

		LP Gas (Propane)	Butane
Open Burner	Main Burner	Ø 1.50mm	Ø 1.40mm
	Pilot Burner ('PF' Option Only)	0.20	0.20
Supply Pressure		2.75 - 4.50 kPa	
Burner Operating Pressure (*)		2.6 kPa	
Gas Regulator Cap Screw			

### NOTE:

- (\*) Measure Burner operating pressure at manifold test point with two burners operating at 'High Flame' setting.
- NAT, LPG & Butane Only - Operating pressure is ex-factory set and is not to be adjusted, unless when converting between gases, if required.
- (\*\*) TOWN GAS Only - Adjust burner operating pressure using adjustable gas regulator supplied.
- Refer to information in this section for further details.

### Replacement Parts List

#### **IMPORTANT:**

Only genuine authorized replacement parts should be used for servicing and repair of this appliance. Instructions supplied with parts should be followed when replacing components.

For further information and servicing instructions, contact your nearest authorized service branch (contact details are as shown on reverse of front cover of this manual).

---

When ordering replacement parts, please quote part number and description as listed below. If part required is not listed below, request part by description and quote model number and serial number which is shown on rating plate.

### **Cook Top**

#### **Open Burners**

235678	Burner Body.		
227017	Burner Cap.		
030245	Injector	(Nat. Gas)	Ø 2.45mm.
030230	Injector	(Natural Gas - G20)	Ø 2.30mm (UK Only).
030150	Injector	(LP Gas / Propane)	Ø 1.50mm.
030140	Injector	(LP Gas / Butane)	Ø 1.40mm.
030450	Injector	(Town Gas)	Ø 4.50mm.
026134	Pilot Injector	(Nat Gas)	0.30.
026136	Pilot Injector	(LP Gas / Butane)	0.20.
232309	Pilot Injector	(Town Gas)	0.60.
229442	Pilot Bracket Assembly.		
229444	Pilot Burner Shield.		
227405	Gas Control	(with Flame Failure).	
227967	Knob - Open Burner.		
228167	Thermocouple - Front.		
228166	Thermocouple - Rear.		

### **Oven**

228691	Oven Top Element 1.75kW.	(750 Ovens).
228690	Oven Bottom Element 3.75kW.	(750 Ovens).
228082	Oven Top Element 2kW.	(900 - 1200 Ovens).
228059	Oven Bottom Element 4.5kW.	(900 - 1200 Ovens).
228704	Door Spring Kit.	
229021	Terminal Block Mains.	
227399	Control Knob Thermostat 50°C - 300°C.	
229146	Thermostat 50 - 300°C.	
229145	Switch (4-pole).	
013989	Energy Regulator.	
227398	Control Knob HI/LO Heat.	

#### **Convection Oven Only**

228938	Oven Door Microswitch.
010909	Motor Capacitor 4µf.
228116	Fan.
019479	Motor.

# Replacement Parts List

---

## General

232535	Pot Stand.
228883	Spill Tray
227892	Side Rack LH.
227893	Side Rack RH.
227896	Oven Rack.
228571	Index Mark Moulding.
227963	Neon Orange.
227962	Neon Green.
227850	Adjustable Legs.
229674	Rear Roller Assy.

## Accessories

228800	900mm Plinth Kit.
--------	-------------------

## Gas Regulators

Gas Type	Gas Regulators	
	Part No.	Description
Nat. Gas LPG Butane	228531	¾" BSP F/F Convertible.
Town Gas	230185	¾" BSP F/F Adjustable.

## Gas Conversion Kits

Models	Gas Type to Convert to					
	Nat. Gas	LPG	Butane	Town Gas	Nat. Gas (UK)	Propane (UK)
F - Models	232788	232787	232789	232790	232788	232787
PF - Models	232792	232791	232793	232794	232792	232791