

Technical data sheet for  
**TARGET TOP GAS STATIC  
OVEN RANGE 900mm**

RN8110G



- Heavy-duty cast iron top with removable centre ring
- Matched modular height machined top for seamless work surface
- High output dual ring cast iron burner
- GN 2/1 gas static oven
- Drop down door
- Stainless steel exterior
- Easy clean
- Easy service
- Fully modular
- Low back model (RNL) available

**Overall Construction**

- Galvanized steel chassis
- Welded hob surround with 1.5mm 304 stainless steel bull nose
- Splashback and hob sides 1.2mm 304 stainless steel
- Front panels and oven sides 0.9mm 304 stainless steel
- 150mm legs in 63mm dia. heavy-duty 1.2mm 304 stainless steel with adjustable feet

**TARGET TOP**

- 3 piece heavy-duty cast iron top with fully machined surface
- Top plates and removable centre with integral spill protection design
- Cast top reinforced with integral heat fins for heat zone definition
- 45MJ dual ring cast iron burner with single control
- Full pilot and flame failure protection
- 50mm thick refractory brick lined burner box for high heat retention
- 2 vitreous enamelled spill trays
- Supplied with heavy-duty centre casting removal tool

**OVEN**

- Fully welded and vitreous enamelled oven liner
- GN 2/1 capacity with 4 position racking
- Heavy-duty easy remove heavy wire chrome rack supports
- Cast iron even heat oven sole plate
- 30MJ oven burner
- Pilot and flame failure with piezo ignition
- Welded frame drop down door with heavy-duty spring hinge system
- 0.9mm 304 stainless steel door outer
- 1.0mm press formed vitreous enamelled door inner
- High density fibreglass insulated
- Stay cool stainless steel door handle with cast metal handle mounts
- Supplied with two chrome wire oven racks

**Controls**

- Large easy use control knobs - heat resistant reinforced
- Easy view control settings on knobs

**TARGET TOP**

- Variable high to low burner control
- Single control knob for burner and pilot system
- Flame failure pilot burner
- Manual pilot ignition for reliable operation

**OVEN**

- 80-300°C thermostatic control
- Piezo ignition to pilot burner
- Flame failure

**Cleaning and Servicing**

- Removable oven racking and sole plate
- Easy clean vitreous enamel oven and door inner
- Easy clean stainless steel exterior
- Target Top fully serviceable from front of unit
- Bottom sill removable for burner and pilot access
- Door hinge spring adjustable on unit (door outer removed)
- Door disengages for lift off removal and increased service access
- All parts front accessible from installed position

Technical data sheet for  
**TARGET TOP GAS STATIC  
 OVEN RANGE 900mm**



**Specifications**

**Burners**

45MJ dual ring cast iron - Target Top  
 30MJ tubular - Oven

**Gas power**

75MJ/hr, 20.8kW

**Target Top**

Cooking surface 900mm x 625mm, 5625cm<sup>2</sup>  
 Centre 280mm diameter  
 Maximum plate temperature at centre 500°C

**Oven Dimensions**

Width 665mm  
 Depth 590mm  
 Height 385mm  
 Rack size 660mm x 540mm  
 Rack positions 4

**Gas connection**

R 3/4 (BSP) male  
 130mm from RH side, 31mm from rear,  
 and 655mm from floor

Optional underside connection  
 (refer specification drawing)

All units supplied with Natural and LP gas regulator

**DIMENSIONS**

Width 900mm  
 Depth 805mm  
 Height 915mm  
 Incl. splashback 1130mm  
 Incl. low back 970mm

**NETT WEIGHT**

259kg

**PACKING DATA**

1.03m<sup>3</sup>, 324kg  
 Width 945mm  
 Depth 870mm  
 Height 1255mm

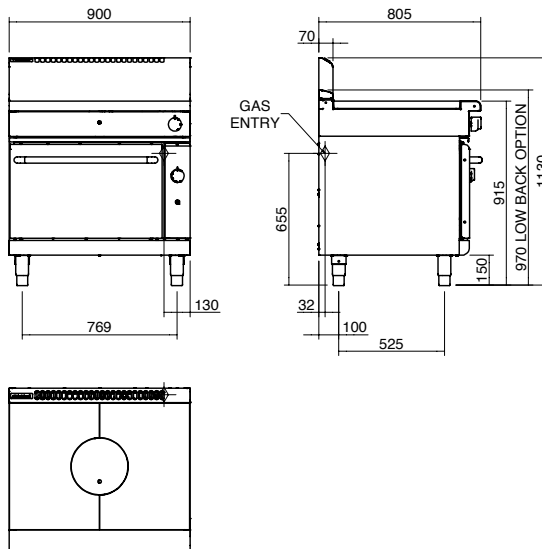
**GAS TYPES**

Available in Natural gas and LP gas  
 Please specify when ordering  
 Units supplied complete with gas type  
 conversion kits  
 Other gas types on request

**OPTIONS AT EXTRA COST**

Joining caps  
 Castors  
 Plinth mounting

RN8110G



Australia  
[www.moffat.com.au](http://www.moffat.com.au)  
 New Zealand  
[www.moffat.co.nz](http://www.moffat.co.nz)

Australia  
 Moffat Pty Limited

Victoria/Tasmania  
 740 Springvale Road  
 Mulgrave, Victoria 3170  
 Telephone 03-9518 3888  
 Facsimile 03-9518 3833  
[vsales@moffat.com.au](mailto:vsales@moffat.com.au)

New South Wales  
 Telephone 02-8833 4111  
[nswsales@moffat.com.au](mailto:nswsales@moffat.com.au)

South Australia  
 Telephone 03-9518 3888  
[vsales@moffat.com.au](mailto:vsales@moffat.com.au)

Queensland  
 Telephone 07-3630 8600  
[qldsales@moffat.com.au](mailto:qldsales@moffat.com.au)

Western Australia  
 Telephone 08-9202 6820  
[bgarcia@moffat.com.au](mailto:bgarcia@moffat.com.au)

New Zealand  
 Moffat Limited

Christchurch  
 Telephone 03-389 1007  
[sales@moffat.co.nz](mailto:sales@moffat.co.nz)

Auckland  
 Telephone 09-574 3150  
[sales@moffat.co.nz](mailto:sales@moffat.co.nz)



Designed and manufactured by



ISO9001  
 All Waldorf products are designed and  
 manufactured by Moffat using the  
 internationally recognised ISO9001 quality  
 management system, covering design,  
 manufacture and final inspection, ensuring  
 consistent high quality at all times.



In line with policy to continually develop and  
 improve its products, Moffat Limited reserves  
 the right to change specifications and design  
 without notice.

Printed in New Zealand  
 © Copyright Moffat Limited  
 Moffat/BH/6864

