



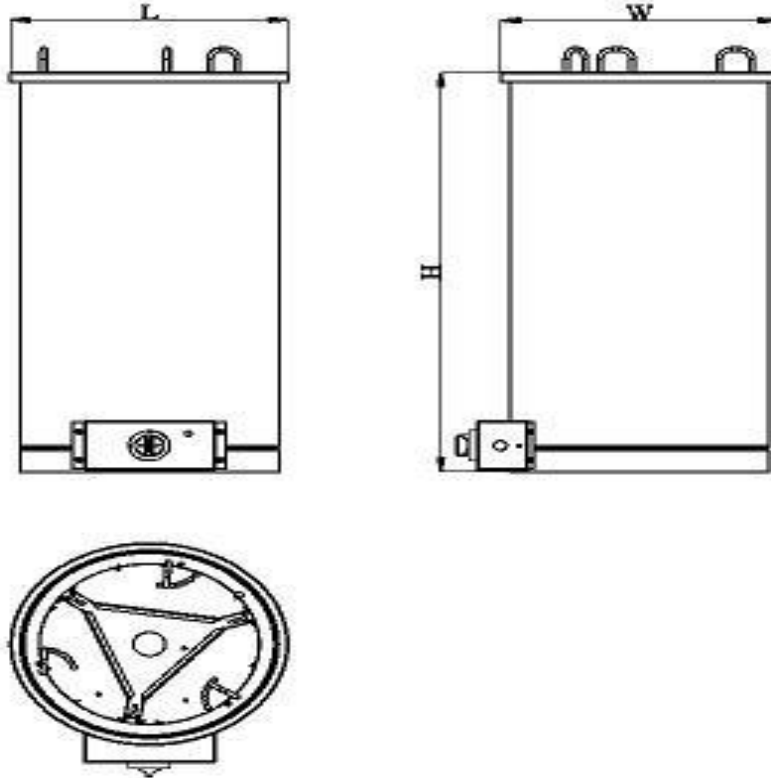
- Specifications of Product:
- * Stainless steel body
 - * Adjustable mechanism can be adjusted according to plate diameter between Ø26 - Ø32 cm
 - * 50 pcs. of plates can be loaded
 - * Plexiglass cover
 - * Can be adapted to benches and service benches

Product Dimensions

Length of Product (mm).....: 430
Width of Product (mm).....: 430
Height of Product (mm) H.....: 850
Net Weight (Kg).....: 13,1000
Volume of Product (m3).....: 0,1600

Package Dimensions

Leght of Package (mm): 480
Width of Package (mm): 570
Height of Package (mm): 1.000
Volume of Package (m3): 0,2700
Product Number in Package.....: 1



Electrical Specifications

Electrical Power (kW): 1,5000 Volt
(Monophase/Triphase): 230V - 240V / NPE
Electrical Frequency (Hz).....: 50 / 60 Hz

Gas Specifications

Gas Type

Other Technical Specifications

Protection Class: IP 21