



**code:**

7868.52108.11

**SERVICE TROLLEYS**

**HOT BANQUET TROLLEY (10 GN 1/1-65)**

**model:**

**OZH-BCS-SD-1H**



#### MAIN FEATURES

- \* The convection-heated banquet trolleys can be used dry or with moist air, depending on what is best for your food.
- \* Digital controls with cabinet temperature display and setting.
- \* Large storage area suitable to contain 1/1 GN containers or shelves on anti-tilt pressed runners.
- \* Optimized bottom to up forced air flow provide even temperature distribution and fast heating in any conditions.
- \* Protective rubber wedges against impact around the device.
- \* High quality thermal insulation of the cabinet for energy saving.
- \* Silicone gasket prevents heat escape.
- \* Up to 85°C heat setting option in the cabinet.
- \* 5-stage steam system
- \* Easy transport.

#### CONSTRUCTION

- \* Constructed from the highest quality stainless steel.
- \* Interior base with corners, pressed from a single sheet.
- \* Easy access to the main components for maintenance.
- \* Ergonomic locking system.
- \* 2,5 lt. water tank capacity.
- \* Doors are self-closing and can be fully opened up to 270°
- \* Right hinged door as factory setup.

#### OPTIONS

- \* Stainless steel shelf

#### ACCESSORIES

#### STANDARDS

- \* EN 60335-1 European Standard relating to safety of household and similar electrical appliances
- \* EN 60335-2-49 European Standard relating to particular requirements for commercial electric hot cupboards

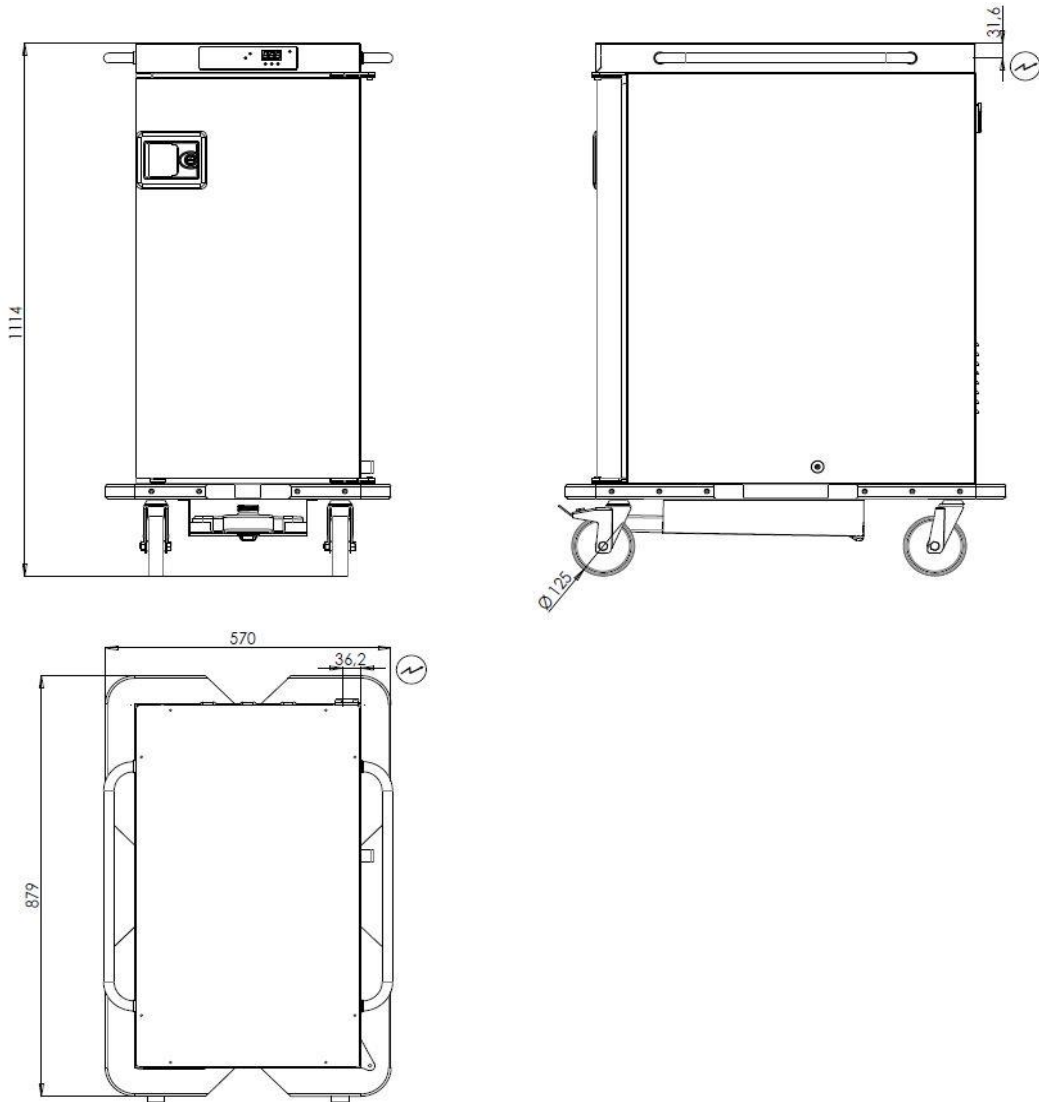







**code:**  
7868.52108.11

**SERVICE TROLLEYS**  
**HOT BANQUET TROLLEY (10 GN 1/1-65)**

**model:**  
OZH-BCS-SD-1H



DIMENSIONS (Net)		DIMENSIONS (Shipping)	
* Width (mm)	570	* Width (mm)	
* Depth (mm)	879	* Depth (mm)	
* Height (mm)	1114	* Height (mm)	
* Weight (kg)	63	* Weight (kg)	
		* Volume (m <sup>3</sup> )	
TECHNICAL SPECIFICATIONS			
* cabinet capacity	10 GN 1/1 65mm		
* Regulating Temperature	30-85 °C		
	ELECTRICITY		
* Power:	1,5	kW	
* Supply Voltage:	230V / NPE 50 Hz		
* Protection Class:	IP X3		
	WATER-IN		
* Cold Water Inlet:	Pressure (min-max)	bar	kPa Temperature (min-max) °C
* Hot Water Inlet:			
* Hardness:	F		
	DRAIN		
* *			