

# LGUex 1500

Laboratory freezer with convection cooling and an interior free of ignition sources

MediLine



**LIEBHERR**

Freestanding

**LIEBHERR**

# LGUex 1500

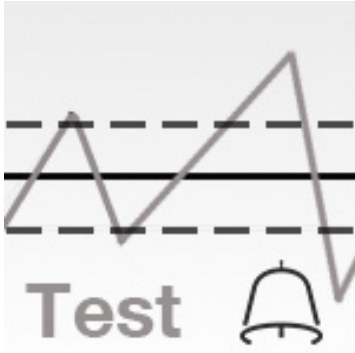
Laboratory freezer with convection cooling and an interior free of ignition sources

MediLine



Gross/net capacity	139/129 litre
Ext. dimensions in mm (w/d/h)	601/618/820
Int. dimensions in mm (w/d/h)	454/450/663
Energy consumption in 365 days	294 kWh
Ambient temperature range	+10°C to +35°C <sup>1</sup>
Refrigerant	R 600a
Connection Rating	1.0 A
Voltage	220-240 V~
Cooling system	static
Defrosting	manual
Temperature range	-9°C to -26°C
Housing material/colour	steel/white
Door material	Steel
Liner Material	moulded polystyrol white
Type of Control	electronic controller
Temperature display	external digital
Fault: warning signal	visual and audible
Interface	RS 485
volt-free alarm contact	yes
Drawers	3
Number of baskets	1
Maximum number of baskets	4
Shelves, freezer compartment	4
Compartment height in mm	1 × 149
Lock	fitted
Self-closing door	yes
Door hinges	right, reversible
Insulation	55 mm
Gross/net weight	45/42 kg
EAN-Nr.	9005382237298

# Features



## Alarm test function

This test function can be used to check whether an internally or externally connected alarm system is functioning correctly. The appliance's refrigeration performance is not affected by this test.



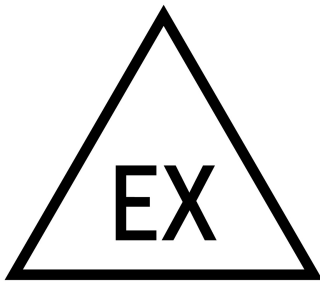
## Easy to clean interior

The plastic inside container is made of polystyrene: a fully recyclable, robust, and odourless plastic. Manufactured seamlessly from one piece, it has no hidden dirt traps and the large corner radii can be cleaned quickly and easily. The perfect combination of sustainability and hygiene.



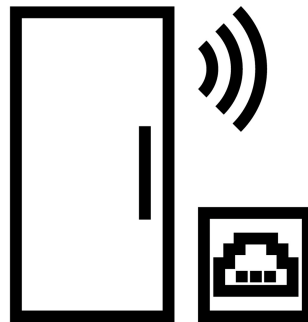
## Environmentally friendly refrigerants

Liebherr appliances are optimised for maximum energy efficiency and low operating costs. We only use the natural and environmentally-friendly refrigerants R 600a and R 290. When used with highly efficient compressors, these are extraordinarily efficient and, with their low global warming potential, also future-proof.



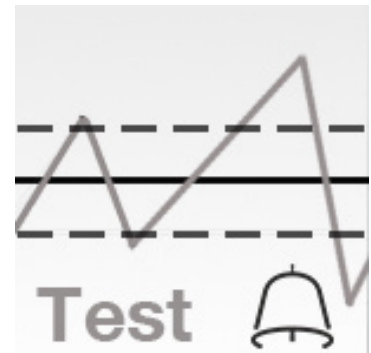
## Compliance with the ATEX Directive

Liebherr laboratory equipment conforms to EN/IEC 60079-0 or EN-IEC 60079-7 and complies with EU Directive 2014/34/EU ("ATEX Directive"). Classification of the interior to II 3 G Ex ec IIC T6 (declared as Zone 22) makes them suitable for flammable substances in closed containers that could form explosive atmospheres.



## Retrofittable WiFi/LAN interface

This is how easy it is to network a Liebherr: With the retrofitable WiFi and LAN interface, appliances can be effortlessly connected to external systems, such as SmartMonitoring from Liebherr. With the digital monitoring solution, the storage temperature is controlled and documented conveniently and securely via the subsequently set up interface.



## Alarm test function

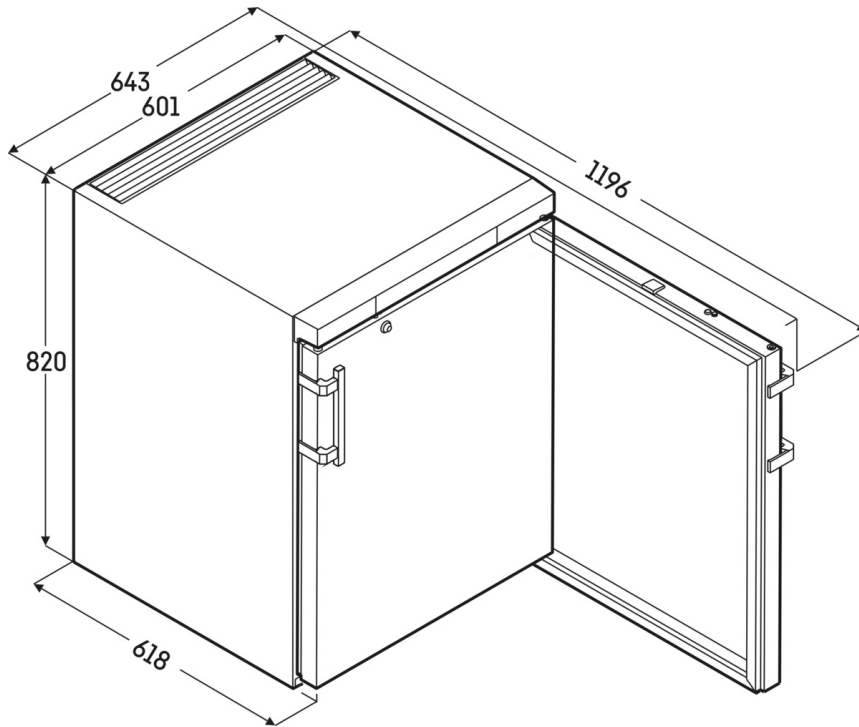
This test function can be used to check whether an internally or externally connected alarm system is functioning correctly. The appliance's refrigeration performance is not affected by this test.

Freestanding LGUex 1500

**LIEBHERR**

# Technical drawing

---



---

Products and their details are staged for advertising purposes. Whilst every effort is made to ensure all specifications and information in this flyer are accurate, Liebherr reserves the right to make changes without notification. Where actual appliance measurements, specifications, and ratings are crucial, we recommend that the actual appliance installation instructions that accompany each appliance be checked. Liebherr will not be liable for any damage. (28.11.2023)



[home.liebherr.com](https://www.home.liebherr.com)