

### Top Loading Carriers

For GN 1/1 Food Pans

Models EPP160, EPP180, EPP180S

StoreSafe

#### Features & Benefits

- Ultra lightweight, high performing, non-electric food pan carriers ensure hot or cold food stays at safe temperatures below 39.2°F (4°C) or above 149°F (65°C) for several hours during holding and transport.
- Made of EPP expanded polypropylene, an eco-friendly, foam material that is strong and durable. Unaffected by oil, grease and most chemicals and built to withstand substantial impact without damage.

#### GN 1/1 FULL SIZE FOOD PAN HOLDING CAPACITY (Stacked inside with lids)

DEPTH	EPP160	EPP180	EPP180S
2½" (6,5 cm)	3	4	2 + one 4" (10 cm)
4" (10 cm)	2	2	2
6" (15 cm)	1	1 + one 2½" (6,5 cm)	1 + one 2½" (6,5 cm)
8" (20 cm)	–	1	1

- Built-in ergonomic handles located on each end.
- Gasket and latch free.
- Interior wall recesses provide easy and quick access to food pans.
- Units inter-stack with each other and also with other major EPP brands.
- Model EPP180S unique design feature increases storage space by 30% (stack and store units and lids separately).
- Built-in ID holder for use with (optional) 5 color-coded plastic labels provides easy content, location or event identification. Smooth surface area on the front can be used for additional labeling.
- Dishwasher safe.
- No assembly required.
- Available in 1 color: Black (110).
- Optional Accessories:
  - Camchiller®: Keep food chilled below 39.2°F (4°C) without external power or ice.
  - Camwarmer®: Extend hot food holding time.
  - Camdolly®: Safely stack and transport multiple carriers at one time.

Item No. \_\_\_\_\_

Specifier Identification No. \_\_\_\_\_

Model No. \_\_\_\_\_

Quantity \_\_\_\_\_



EPP160

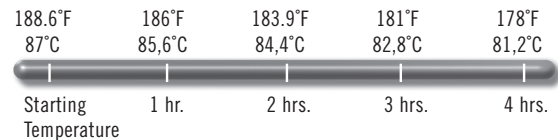


EPP180

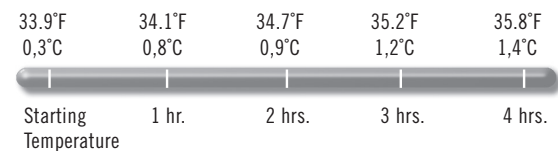


EPP180S

#### Hot



#### Cold



#### Approvals



## Top Loading Carriers

For GN 1/1 Food Pans

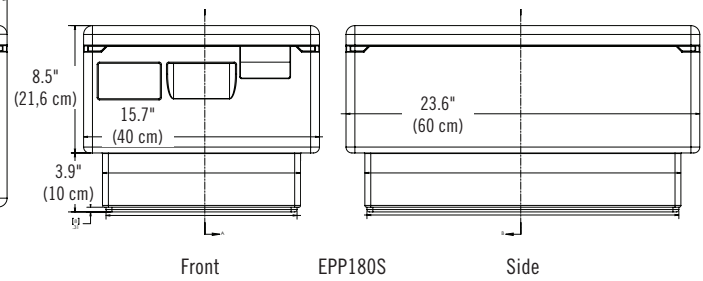
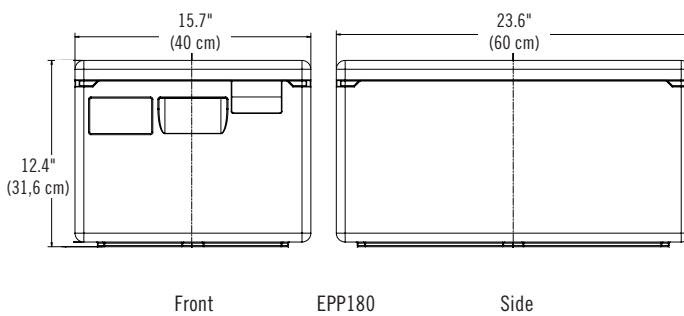
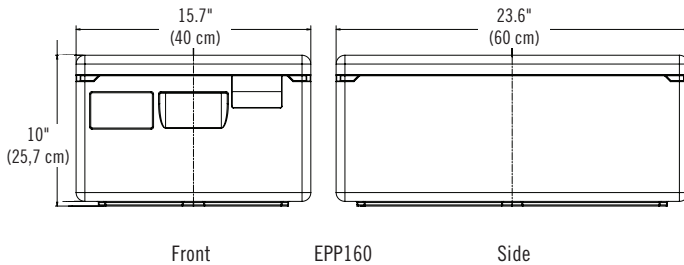
Models EPP160, EPP180, EPP180S

Item No. \_\_\_\_\_

Specifier Identification No. \_\_\_\_\_

Model No. \_\_\_\_\_

Quantity \_\_\_\_\_



### Specifications

Dimension Tolerance: +/- 0,64 cm

Code	Maximum Open Volume Capacity	Exterior Dimensions L x W x H	Interior Dimensions L x W x H	Unit Weight
EPP160	37.5 qt. (35,5 L)	23.6" x 15.7" x 10" (60 x 40 x 25,7 cm)	21.2" x 13.3" x 7.7" (53,8 x 33,8 x 19,5 cm)	2.4 lbs. (1,07 kg)
EPP180	48.6 qt. (46 L)	23.6" x 15.7" x 12.4" (60 x 40 x 31,6 cm)	21.2" x 13.3" x 10" (53,8 x 33,8 x 25,4 cm)	2.6 lbs. (1,2 kg)
EPP180S	45.4. qt. (43 L)	23.6" x 15.7" x 12.4" (60 x 40 x 31,6 cm)	21.2" x 13.3" x 10" (53,8 x 33,8 x 25,4 cm)	2.5 lbs. (1,13 kg)

### Optional Accessories

- Plastic ID Labels  EPPID5 (000)
- Camchiller®  CP3253 Cold Blue (159)
- Camwarmer®  HP3253 Hot Red (158)
- Camdolly®  CD3253EPP Hot Red (158)

### Standard Color

- Black (110)

### Architect Specs

The portable, non-electric top loading GN Food Pan transport and holding carriers shall be a Cam GoBox Carrier, Models EPP260 and EPP280, manufactured by Cambro Mfg. Co., Germany. It shall be made of EPP expanded polypropylene, a 100% recyclable, CFC-Free, eco-friendly, foam material that is strong and durable and unaffected by oil, grease and most chemicals. It shall be built to withstand substantial impact without damage. It shall be dishwasher safe. It shall have a removable lid. It shall have built-in interior wall recesses for easy access to food pans. It shall hold GN Full Size food pans with lids,

up to 8" (20 cm) deep. It shall accommodate an optional Camchiller or Camwarmer. It shall have 2 molded-in handles. It shall have a built-in label area plus a smooth surface label area on the front for identifying contents. It shall inter-stack with like models and also with other major EPP brands. It shall require no assembly and shall be available in 1 color – Black (110).

### Approvals

