

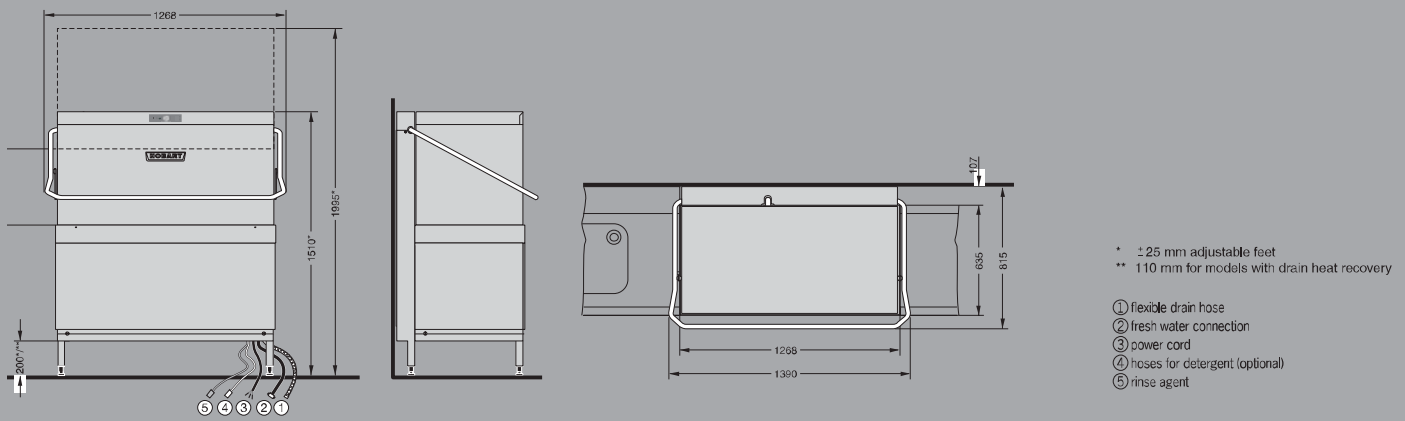


WAREWASHING
HOOD-TYPE DISHWASHER

PROFI AMXT/AUXXT

EFFICIENT – RELIABLE – INNOVATIVE





1 | PRODUCT FEATURES

In addition to the models AMX / AUX HOBART also offers a **double hood model: AMXT / AUXXT** to wash two racks at the same time, doubling the capacity. This twin model with double width wash chamber can handle even larger items such as containers, pots, pans, etc.



2 | TECHNICAL DATA

MODEL	AMXT	AMXTR	AUXXT	AUXTR
Cycle times in sec. [1]	60 / 90 / 120	60 / 90 / 120	52 / 90 / 120 / >120	52 / 90 / 120 / >120
Capacity [2]				
Racks / h	120	120	140	140
Plates / h	2.160	2.160	2.520	2.520
Glasses / h	4.320	4.320	5.040	5.040
Temperature in °C				
Wash temperature approx.	60	60	60	60
Rinse temperature approx.	85	85	85	85
Tank volume litres	2 x 21	2 x 21	2 x 40	2 x 40
Fresh water consumption per cycle litres	5	5	5	5
Pump capacity kW / l/min	2 x 0,7 / 2 x 350	2 x 0,7 / 2 x 350	4 x 1,1 / 2 x 600	4 x 1,1 / 2 x 600
Tank heating kW	2 x 2,5	2 x 2,5	2 x 2,5	2 x 2,5
Booster loading kW*	12,3 / 6,15	12,3	12,3 / 6,15	12,3
Total loading kW	18,8 / 12,6	18,8	21,7 / 15,6	21,7
Dimensions in mm				
Width/Depth/Height	1.268/635/1.510	1.268/635/1.510	1.268/635/1.510	1.268/635/1.510
Open hood height	1.995	1.995	1.995	1.995
Loading height	440	440	440	440
Rack size	500 x 500 / 500 x 530	500 x 500 / 500 x 530	500 x 500 / 500 x 530	500 x 500 / 500 x 530
Features				
Heat Recovery E-SAVE	-	●	-	●
Drain pump	●	●	●	●
Rinse system ACCURINSE	●	●	●	●
Rinse aid dispenser	●	●	●	●
Detergent dispenser	●	●	●	●
Corner installation possible	●	●	●	●
Rack equipment	4 x plate rack 1 x universal rack	4 x plate rack 1 x universal rack	4 x plate rack 1 x universal rack	4 x plate rack 1 x universal rack

[1] The machine is equipped with an automatic cycle-time control which ensures hygienic rinse temperatures even on a cold-water supply or with reduced heating performance.

[2] Theoretical performance

*Multi-Setting: The heater output can be reduced at site from 12.3 kW to 6.15 kW if required.

● Inclusive