

WASHTECH®

PROFESSIONAL WASH SYSTEMS

AL

Fully Insulated Premium Passthrough Dishwasher - 500mm Rack

W 750mm x D 795mm x H 1525mm

With the fastest complete cycle time of 40 seconds, the AL delivers unrivalled single tank passthrough dishwasher performance and capacity, washing up to 1400 plates per hour.

Standard Features

- Thermal & acoustic insulation
- 2.4 litres per cycle hot water consumption
- Up to 1400 plates per hour
- Assured final rinse - 316 grade stainless steel rinse tank and rinse booster
- Reverse osmosis compatible for spot free results
- Electronic controls with enhanced functionality
- Multi-cycle options - fast 40, 60 and 90 second cycles with manual cycle mode, Ecopower, Soft Start and Self Cleaning cycle
- Service diagnostics for error recognition
- Enhanced filtration and active waste removal
- Dual chemical injectors
- Drain pump
- Dual stainless steel upper and lower wash & rinse arms with removable cleaning caps
- Recirculates wash water at nominal 650 litres per minute
- 2.5kW wash & 6kW rinse heating
- 430mm high wash chamber clearance
- Suits 500mm international standard racks
- QuickConnect
 - Water supply hose
 - Dual chemical injector lines
 - Drain pump outlet hose
- Includes adjustable 200mm high legs
- No commissioning required
- Watermark certified

Includes:

- 2 x 6007028 - 500mm dish racks
- 1 x 6007029 - 500mm cup rack
- 1 x C660503 - cutlery container
- 1 x C660508 - cutlery basket



The unit shall be a Washtech passthrough dishwasher with Watermark certification, suitable for in-line or corner installation. The unit shall be fully insulated and have automatic fill and low level wash pump and element protection and start automatically on door closure. It shall be fitted with electronic controls and keypad with operator selectable 40, 60 and 90 second complete operating cycles. Door clearance shall be 430mm. The unit shall be fitted with double rotating upper and lower all stainless steel wash arms and separate independent single upper and lower rinse arms, all with removable end plugs for cleaning. The unit shall be fitted with a 1.1 kW wash pump, detergent and rinse fluid injectors, rinse booster pump and drain pump. Hot water consumption shall be 2.4 litres per operating cycle. The unit shall require 15amp 3 phase 5 wire electrical supply. The unit shall be supplied with 500mm cup and dishracks and shipped in 100% recyclable packaging. Height of machine shown includes maximum 60mm adjustable leg extension.



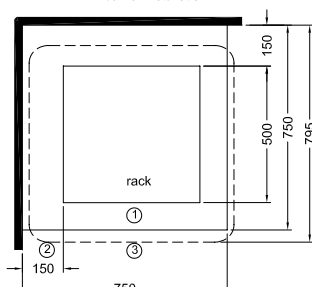
WASHTECH®

PROFESSIONAL WASH SYSTEMS

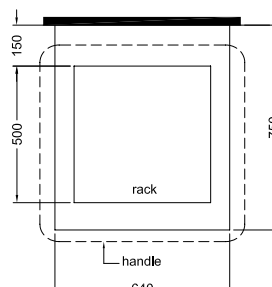
AL

Fully Insulated Premium Passthrough Dishwasher – 500mm Rack

benchwork minimum dimensions
corner installation

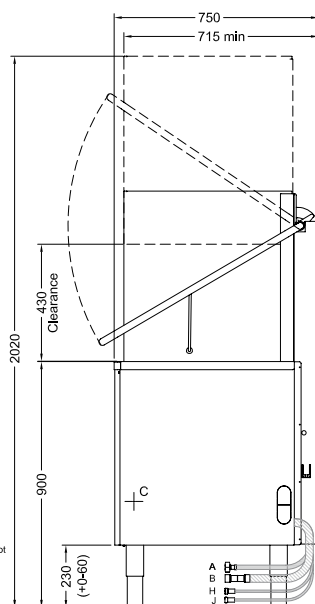
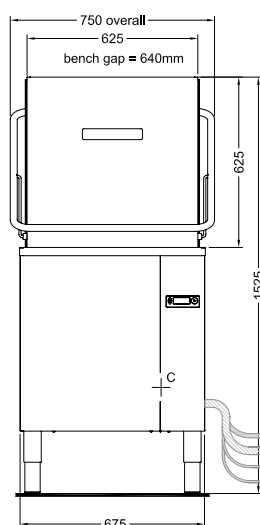


in-line installation



Corner installation

- ① machine must face left
- ② splashback return no higher than 150mm
- ③ allow 300mm clearance beneath bench to front for service access



- C Power - 15A 3Ø
- A Water Supply Hot
- B Waste
- H Detergent
- J Rinse Fluid

A Hot Water		Dimensions
temperature	65°C	Width 750mm
connection	3/4"	Depth 795mm
pressure	100-300kPa	Height 1525mm
flow	20 litres per min	Weight 120kg
quality	potable & soft	
B Waste		Packed Dimensions
connection	1.5 BSP	Width 800mm
hose supplied		Depth 950mm
		Height 1475mm
		Weight 140kg
		Cubicmetres 1.1m ³
C Electrical		
	3 phase 400-415V 50Hz 15 amp	

Refer operator manual for complete installation instructions

MOFFAT®

Australia
www.moffat.com.au

Australia
Moffat Pty Limited

Victoria/Tasmania
740 Springvale Road
Mulgrave, Victoria 3170
Telephone 03-9518 3888
Facsimile 03-9518 3833
vsales@moffat.com.au
www.moffat.com.au

New South Wales
Telephone 02-8833 4111
nswsales@moffat.com.au

South Australia
Telephone 03-9518 3888
vsales@moffat.com.au

Queensland
Telephone 07-3630 8600
qldsales@moffat.com.au

Western Australia
Telephone 08-9202 6820
bgarcia@moffat.com.au