



SIMPLY STAINLESS

Modular Sinks, Tables & Shelving

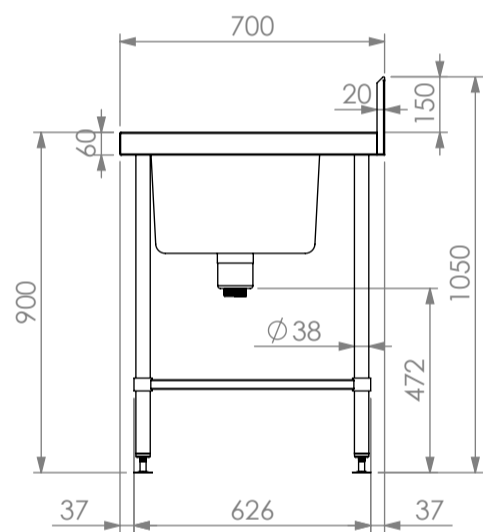


24-6-2400-TB

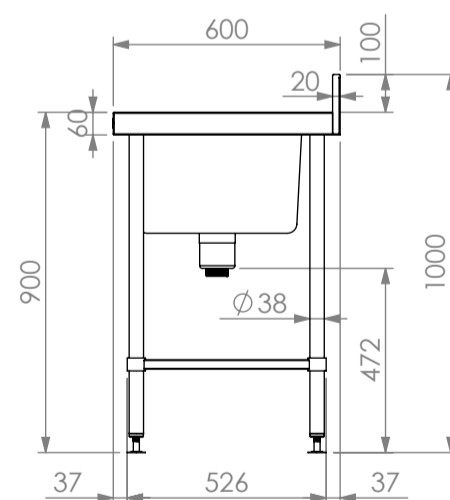


24-6-2400-TB

SPECIFICATION	
Tops	<ul style="list-style-type: none"> - High quality 304 grade stainless steel. - 1.2mm gauge, no. 4 Finish. - Welded bowl w/sink waste, 100mm upstand (150mm bevelled upstand on 700 series). - 20mm wet edge. - 3 pcs. 60 litre bowl (450x450x300mm). - Supplied with 3x Watermark approved 90m waste with basket.
Core	<ul style="list-style-type: none"> - 1.2mm gauge stainless steel top hat channel. - Stainless steel collars.
Frames	<ul style="list-style-type: none"> - Ø38mm round stainless steel tube. - Satin polished. - Machined collars. - Adjustable stainless disc feet.
Potrail	<ul style="list-style-type: none"> - Stainless steel round & square tube



*700mm DEEP MODULE ELEVATION.



*600mm DEEP MODULE ELEVATION.

24	Triple Bowl Sink				
	Product Code	Bowl (x3)	Dimensions (mm)	Unit weight (Kg)	Load capacity (Kg)
	24-6-2400-TB	450x450x300	2400x600x900	16	200
	24-7-2400-TB	450x450x300	2400x700x900	22	200

