



SIMPLY STAINLESS

Modular Sinks, Tables & Shelving



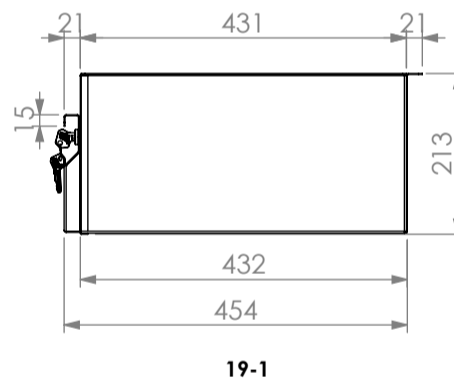
19-1



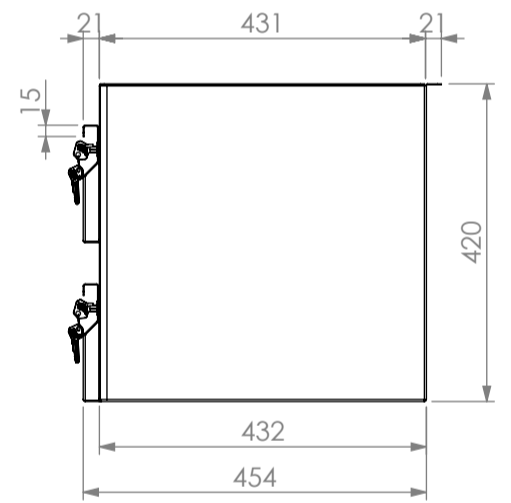
19-2



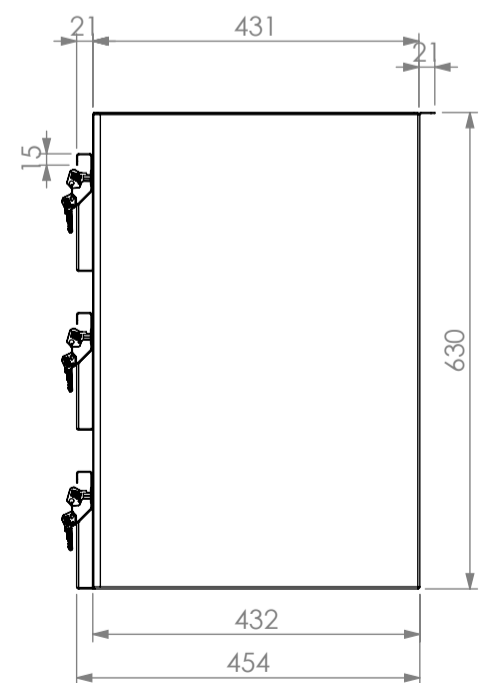
19-3



19-1



19-2



19-3

SPECIFICATION	
Tops	- High quality 304 grade stainless steel. - 1.2mm gauge, no. 4 Finish.
Lock	- Barrel Locks supplied with all drawers. - Key to like available on request. - Separate key.
Fixing	- All fixings supplied, can be fitted to 01, 02, 03, 18 units

19	Drawer		
	Product Code	Dimensions (mm)	Unit weight (Kg)
	19-1	478x474x213	12
	19-2	478x474x420	24
	19-3	478x474x630	36